

POWER^{TEN}

P60, P80, D3 Series DC Power Supplies

Operation Manual

**Elgar Electronics Corporation
9250 Brown Deer Road
San Diego, CA 92121-2294**

**1-800-73ELGAR (1-800-733-5427)
Tel: (858) 450-0085
Fax: (858) 458-0267
Email: sales@elgar.com**



©2007 by Elgar Electronics Corporation

This document contains information proprietary to Elgar Electronics Corporation. The information contained herein is not to be duplicated or transferred in any manner without prior written permission from Elgar Electronics Corporation.

November 2, 2007

Document No. M550001-01 Rev F

Safety Notice

Before applying power to the system, verify that the unit is configured properly for the user's particular application.

CE and UL recognition status of this series of power supplies is based on rack mounted application only. Use of the power supplies outside of a rack mount enclosure will expose the user to high voltage and/or high current sources. Extreme caution must be used under these circumstances.

The analog control inputs (connectors J1 and J2) on the rear panel are referenced to the negative output of the power supply. Grounding the positive output of the power supply or biasing the output of the supply above chassis potential will cause these inputs (along with the output of the supply) to have a potentially hazardous offset voltage. Exercise caution under these conditions. Under no circumstances should the negative output of the supply be more than 150 volts, positive or negative, from chassis potential.

Installation and service must be performed only by properly trained and qualified personnel who are aware of dealing with attendant hazards. This includes simple tasks such as fuse verification.

Ensure that the AC power line ground is connected properly to the unit input connector or chassis. Similarly, other power ground lines including those to application maintenance equipment must be grounded properly for both personnel and equipment safety.

Always ensure that facility AC input power is de-energized prior to connecting or disconnecting the input/output power cables.

Warning: Lethal voltages may be present inside the power supply even when the AC input voltage is disconnected. Only properly trained and qualified personnel should remove covers and access the inside of the power supply.

During normal operation, the operator does not have access to hazardous voltages within the chassis. However, depending on the user's application configuration, HIGH VOLTAGES HAZARDOUS TO HUMAN SAFETY may be generated normally on the output terminals. Ensure that the output power lines are labeled properly as to the safety hazards and that any inadvertent contact with hazardous voltages is eliminated.

Due to filtering, the unit has high leakage current to the chassis. Therefore, it is essential to operate this unit with a safety ground.

This unit is designed to be permanently connected to the power source and as such must have a readily accessible disconnect device incorporated in the fixed wiring.

After the unit has been operating for some time, the metal near the rear of the unit may be hot enough to cause injury. Let the unit cool before handling.

These operating instructions form an integral part of the equipment and must be available to the operating personnel at all times. All the safety instructions and advice notes are to be followed.

Neither Power Ten nor any of the subsidiary sales organizations can accept responsibility for personal, material or consequential injury, loss or damage that results from improper use of the equipment and accessories.

SERVICE SAFETY NOTICES

WARNING!

HAZARDOUS VOLTAGES IN EXCESS OF 480 V RMS, 700 V PEAK MAY BE PRESENT WHEN COVERS ARE REMOVED. QUALIFIED PERSONNEL MUST USE EXTREME CAUTION WHEN SERVICING THIS EQUIPMENT. CIRCUIT BOARDS, TEST POINTS, AND OUTPUT VOLTAGES MAY BE FLOATING ABOVE CHASSIS GROUND.

WARNING!

TO GUARD AGAINST RISK OF ELECTRICAL SHOCK DURING OPEN COVER CHECKS, DO NOT TOUCH ANY PORTION OF THE ELECTRICAL CIRCUITS. EVEN WHEN THE POWER IS OFF, CAPACITORS CAN RETAIN AN ELECTRICAL CHARGE. USE SAFETY GLASSES DURING OPEN COVER CHECKS TO AVOID PERSONAL INJURY BY ANY SUDDEN FAILURE OF A COMPONENT.

WARNING!

SOME CIRCUITS ARE LIVE EVEN WITH THE FRONT PANEL SWITCH TURNED OFF. SERVICE, FUSE VERIFICATION, AND CONNECTION OF WIRING TO THE CHASSIS MUST BE ACCOMPLISHED AT LEAST FIVE MINUTES AFTER POWER HAS BEEN REMOVED VIA EXTERNAL MEANS; ALL CIRCUITS AND/OR TERMINALS TO BE TOUCHED MUST BE SAFETY GROUNDED TO THE CHASSIS.

WARNING!

QUALIFIED SERVICE PERSONNEL NEED TO BE AWARE THAT SOME HEAT SINKS ARE NOT AT GROUND, BUT AT HIGH POTENTIAL.

FCC NOTICE

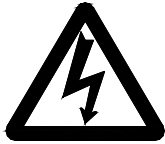
This equipment has been tested and found to comply with the limits for a Class A digital device, pursuant to part 15 of the FCC Rules. These limits are designed to provide reasonable protection against harmful interference when the equipment is operated in a commercial environment. This equipment generates, uses, and can radiate radio frequency energy and, if not installed and used in accordance with the instruction manual, may cause harmful interference to radio communications. Operation of this equipment in a residential area is likely to cause harmful interference in which case the user will be required to correct the interference at his own expense.

About This Manual

This manual has been written expressly for the Power Ten “P” Series of power supplies which have been designed and certified to meet the Low Voltage and Electromagnetic Compatibility Directive Requirements of the European Community.

Since the Low Voltage Directive is to ensure the safety of the equipment operator, universal graphic symbols (see below) have been used both on the unit itself and in this manual to warn the operator of potentially hazardous situations.

SAFETY SYMBOLS



CAUTION
Risk of Electrical Shock



Protective Conductor Terminal



CAUTION
Refer to Accompanying Documents



Alternating Current (AC)

TABLE OF CONTENTS

Chapter 1 DESCRIPTION OF EQUIPMENT.....	1-1
1.1 PURPOSE AND CAPABILITIES	1-1
1.2 TECHNICAL CHARACTERISTICS	1-1
Chapter 2 INSTALLATION	2-1
2.1 INSPECTION.....	2-1
2.2 INPUT/OUTPUT CONNECTORS.....	2-1
2.3 LOCATION AND MOUNTING	2-2
2.4 WIRE SIZING.....	2-5
2.5 OUTLINE DRAWINGS	2-6
Chapter 3 OPERATING INSTRUCTIONS.....	3-1
3.1 CONTROLS AND INDICATORS	3-1
3.2 LOCAL OPERATION	3-5
3.3 REMOTE CURRENT PROGRAMMING.....	3-5
3.4 REMOTE VOLTAGE PROGRAMMING.....	3-6
3.5 REMOTE SENSING.....	3-6
3.6 REMOTE OUTPUT ON/OFF CONTROL.....	3-7
3.7 REMOTE OVERVOLTAGE SET	3-7
3.8 AUTO-PARALLEL OPERATION.....	3-8
3.9 AUTO-SERIES OPERATION.....	3-8
3.10 AUTO-TRACKING OPERATION	3-8
Chapter 4 CALIBRATION.....	4-1
4.1 INTRODUCTION.....	4-1
4.2 CALIBRATION AND ADJUSTMENTS	4-1
4.2.1 P62 Series Calibration Procedures	4-1
4.2.2 P63, P66 and D3 Series Calibration procedures.....	4-3
4.2.3 P83 and P86 Series Calibration procedures.....	4-6
4.2.4 Control Assembly Calibration	4-9
Chapter 5 MAINTENANCE.....	5-1
5.1 INTRODUCTION.....	5-1
5.2 PREVENTIVE MAINTENANCE	5-1
5.3 FUSES	5-3

LIST OF FIGURES

Figure 2-1 P62 Outline Drawing, 2kW to 3kW (Output Voltage ≤ 60 V)	2-6
Figure 2-2 P62 Outline Drawing, 2kW to 3kW (Output Voltage ≥ 80 V)	2-7
Figure 2-3 P63 & D3 Outline Drawing, 3.3KW to 10KW (Output Voltage ≤ 60 V).....	2-8
Figure 2-4 P83 Outline Drawing, 5.0KW to 15KW (Output Voltage ≥ 80 V).....	2-9
Figure 2-5 P66 Outline Drawing, 13.3KW to 20KW (Output Voltage ≤ 60 V)	2-10
Figure 2-6 P86 Outline Drawing, 20KW to 30KW (Output Voltage ≥ 80 V).....	2-11
Figure 3-1 P6x, P8x, and D3 Series Controls and Indicators	3-1
Figure 3-2 Pin-out for Connector J1	3-5
Figure 3-3 Remote Current Programming Using Resistance	3-10
Figure 3-4 Remote Current Programming Using 0-5 VDC or 0-10 VDC Voltage Source	3-10
Figure 3-5 Remote Voltage Programming Using Resistance	3-11
Figure 3-6 Remote Voltage Programming Using 0-5 VDC or 0-10 VDC Voltage Source	3-11
Figure 3-7 Remote Sensing Operation at the Load	3-12
Figure 3-8 Remote On/Off Control by Contact Closure	3-12
Figure 3-9 Remote On/Off Using Isolated AC or DC Voltage Source.....	3-13
Figure 3-10 Remote On/Off Using Isolated TTL/CMOS Voltage Supply	3-13
Figure 3-11 Remote Overvoltage Set Using DC Voltage Source	3-14
Figure 3-12 Auto-Parallel Operation.....	3-14
Figure 3-13 Auto-Series Operation	3-15
Figure 3-14 Auto-Tracking Operation.....	3-15
Figure 4-1 P62 Internal Layout.....	4-12
Figure 4-2 P63, P66, D3 Internal Layout.....	4-13
Figure 4-3 P63, P66, D3 Converter Card.....	4-14
Figure 4-4 P83, P86 Internal Layout	4-15
Figure 4-5 P83, P86 Converter Card.....	4-16
Figure 4-6 P63 & P66 Converter Card	4-17

LIST OF TABLES

Table 1-1 P62 Series Technical Characteristics.....	1-2
Table 1-2 P63, P66, P83, P86, and D3 Series Technical Characteristics.....	1-4
Table 1-3 Available Voltages and Currents.....	1-6
Table 2-1 2kW to 3kW High Series Input/Output Connectors.....	2-2
Table 2-2 5kW to 15kW and 16kW to 30kW Series Input/Output Connectors	2-3
Table 2-3 Output Connection Descriptions.....	2-4
Table 2-4 Input Connection Descriptions	2-4
Table 2-5 Minimum Wire Size Table.....	2-5
Table 2-6 Maximum AC Current Ratings.....	2-5
Table 3-1 P62, P63, P66, P83, P86, and D3 Series Controls and Indicators	3-2
Table 3-2 Connector J1 Designations and Functions.....	3-3
Table 3-3 D-Shell Connector J1 Designations and functions – Continued	3-4
Table 5-1 Preventive Maintenance Schedule	5-1
Table 5-2 Inspection and Corrective Action	5-2
Table 5-3 Fuse Values.....	5-3

Chapter 1

DESCRIPTION OF EQUIPMENT

1.1 PURPOSE AND CAPABILITIES

The Power Ten P60, P80, and D3 Series power supplies are general purpose power supplies designed specifically for laboratory test and systems applications requiring variable DC sources with good ripple and regulation characteristics. The P60 power supplies include five separate series: P62, P63, P66, P83, and P86. The D3 power supplies are dual output supplies that can have two supplies with the same output voltage or two with different output voltages. The power supplies of each series are constant current/constant voltage supplies with an automatic crossover feature. The P62 Series models provide up to 3000 watts, the P63 models up to 10 kilowatts, the P83 up to 15 kilowatts, the P66 models up to 20 kilowatts, and the P86 up to 30 kilowatts, each over a wide range of voltage and current levels. The D3 Series models provide a total combined output power of 6.6 kilowatts.

1.2 TECHNICAL CHARACTERISTICS

The physical, electrical, and environmental characteristics for the P62, P63, P66, P83, P86, and D3 Series are listed in Tables 1-1 through 1-6.

Table 1-1
P62 Series Technical Characteristics

PARAMETERS	SPECIFICATIONS
PHYSICAL CHARACTERISTICS:	
Width	19.00 in.
Depth	18.00 in
Height	3.50 in.
Weight	45 lbs max.
ELECTRICAL CHARACTERISTICS:	
Input Power (Standard)	
Voltage	190-253 VAC
Frequency	47 to 63 Hz
Phases	Single, 2-wire plus gnd
Regulation (Line or Load)	
Voltage	0.1% of max. output voltage
Current	0.2% of max. output current
Transient Response	A 30% step load will recover to within 2% of original value within 10ms.
Stability	$\pm 0.05\%$ of set point per 8 hrs. after warm-up and at a fixed line, load and temp.
Remote Control/Monitor	On/Off control via contact closure, 6-120 VDC or 12-240 VAC, and TTL or CMOS switch, output voltage and current monitor, OVP limit set, and summary fault status
Power Density	2.5 Watts/cubic in.
Power Factor	0.72

Table 1-1
P62 Series Technical Characteristics – Continued

PARAMETERS	SPECIFICATIONS
Remote Programming	
Resistive:	
Constant Voltage (0-100%)	0 - 5k ohms
Constant Current (0-100%)	0 - 5k ohms
Voltage:	
Constant Voltage (0-100%)	0 - 5/10 VDC
Constant Current (0-100%)	0 - 5/10 VDC
Remote Sensing	Terminals are provided to sense output voltage at point of load. Maximum line drop 3% of rated voltage per line, or 3V, whichever is less.
ENVIRONMENTAL CHARACTERISTICS:	
Temperature Coefficient	0.02%/°C of max. output voltage rating for voltage set point. 0.03%/°C of max. output current rating for current set point.
Ambient Temperature	
Operating	0 to 50°C
Storage	-20° to 70°C
Cooling	Internal fans
Agency Approvals (excluding 600 volt models)	TÜV NRTL to UL1950 TÜV to IEC 950 CE mark

Table 1-2
P63, P66, P83, P86, and D3 Series Technical Characteristics

PARAMETERS	SPECIFICATIONS	
PHYSICAL CHARACTERISTICS:		
Width	<u>P63, D3</u>	<u>P66</u>
Depth	19.00 in.	19.00 in.
Height	22.00 in	22.00 in.
Weight	5.25 in.	10.5 in.
	120 lbs max.	163 lbs max.
ELECTRICAL CHARACTERISTICS		
Input Power		
Voltage		
Standard	208-230 VAC (tested to 190-253 VAC) 400 VAC (tested to 360-440 VAC) 480 VAC (tested to 432-528 VAC)	
Options		
Frequency		
Phases	3-phase, 3-wire plus ground	
Regulation (Line or Load)		
Voltage	0.1% of max. output voltage	
Current	0.5% of max. output current	
Transient Response	A 30% step load will recover to within 2% of original value within 10ms.	
Stability	$\pm 0.05\%$ of set point after 8 hr. warm-up at fixed line, load and temp.	
Remote Control/Monitor	On/Off control via contact closure, 6-120 VDC or 12-120 VAC, and TTL or CMOS switch, output voltage and current monitor, OVP limit set, summary fault status.	
Power Density	4.5 Watts/cubic in. (10 & 20 KW) 6.8 Watts/cubic in. (15 & 30 KW)	
Power Factor	.72 min.	
Efficiency	80% minimum at full load	

Table 1-2
P63, P66, P83, P86, and D3 Series Technical Characteristics - Continued

PARAMETERS	SPECIFICATIONS
Remote Programming	
Resistive:	
Constant Voltage (0-100%)	0 - 5k ohms
Constant Current (0-100%)	0 - 5k ohms
Voltage:	
Constant Voltage (0-100%)	0 - 5 VDC or 0 -10 VDC
Constant Current (0-100%)	0 - 5 VDC or 0 -10 VDC
Remote Sensing	Terminals are provided to sense output voltage at point of load. Maximum line drop 3% of rated voltage per line, or 3V, whichever is less.
ENVIRONMENTAL CHARACTERISTICS:	
Temperature Coefficient	0.02%/°C of max. output voltage rating for voltage set point.
	0.03%/°C of max. output current rating for current set point.
Ambient Temperature	
Operating	0 to 50°C
Storage	-40° to 75°C
Cooling	Internal fans
Agency Approvals (excluding 600 volt models)	TÜV NRTL to UL1950 TÜV to IEC 950 CE mark

**Table 1-3
Available Voltages and Currents**

V Out	2KW	3KW	3.3W	6.6W	10KW	13.3W	16.6W	20KW	5KW	10KW	15KW	20KW	25KW	30KW	PS1	PS2
5	325		500	1000	1500	2000	2500	3000							500	500
8	250	350	400	800	1200	1600	2000	2400							400	400
10	200	300	330	660	1000	1300	1650	2000							330	330
12.5			265	530	800	1060	1325	1600							265	265
15	130	200	220	440	660	880	1100	1320							220	220
20	100	150	166	330	500	665	830	1000							166	166
25			132	265	400	520	650	800							132	132
30	66	100	110	220	330	440	550	660							110	110
40	50	75	83	166	250	330	415	500							83	83
50	40	60	66	133	200	265	330	400							66	66
60	33	50	55	110	166	220	275	330							55	55
80	25	37							62	125	187	250	312	375		
100	20	30							50	100	150	200	250	300		
120	16	25														
130									38	76	115	153	192	230		
150	13	20							33	66	100	133	166	200		
200	10	15							25	50	75	100	125	150		
250	8	12							20	40	60	80	100	120		
300	6.6	10							16	33	50	66	83	100		
400	5	7.5							12	15	37	50	62	75		
600			5.5	11	16	22	27	33								

Note:

- Dual output supplies are available in the P63 (3U) chassis with a combination of any two voltages and 3300 watts per voltage.

Output P-P Ripple - Typical

RATING	*3300	* P60, P80, D3	*P60 Low Noise
5-15V	30 mV RMS	50 mV	30 mV
20-60V	30 mV RMS	75 mV	45 mV
80V	50 mV RMS	100 mV	
100V	50 mV RMS	125 mV	
120V	50 mV RMS	135 mV	
150V	50 mV RMS	150 mV	
200V		175 mV	
250-300V		200 mV	
400V		225 mV	

* P-P noise is measured across a 1 uF capacitor at the end of a 6' load cable with the supply operating at full load and at nominal input line voltage.

** RMS noise is measured directly across the output terminals with the supply operating at full load and at nominal input line voltage.

Chapter 2

INSTALLATION

2.1 INSPECTION

Inspect the shipping carton for possible damage before unpacking the unit. Carefully unpack the equipment. Save all packing materials until inspection is complete. Verify that all items listed on the packing slips have been received. Visually inspect all exterior surfaces for broken knobs, connectors, or meters. Inspect for dented or damaged exterior surfaces. External damage may be an indication of internal damage. If any damage is evident, immediately contact the carrier that delivered the unit and submit a damage report. Failure to do so could invalidate future claims.

2.2 INPUT/OUTPUT CONNECTORS

Tables 2-1 and 2-2 list all external connections for the P62, P63, P66, P83, P86 and D3 Series models, respectively. Tables 2-3 and 2-4 provide input and output connection descriptions by power supply type.

For permanently connected equipment, a readily accessible disconnect device shall be incorporated in the fixed wiring. For pluggable equipment, the socket outlet shall be installed near the equipment and shall be easily accessible.

Take precautions to ensure that the concentration of ozone is limited to a safe value. The recommended long-term exposure limit for ozone is 0.1 PPM (0.2 mg/m³).

NOTICE

For proper connection to the mains, a 100 amp or less circuit breaker or fuse is required.

WARNING

Under no condition should the negative output terminal exceed 300V to earth ground. Units with output voltage in excess of 300V must have their negative output terminal tied to earth ground.

2.3 LOCATION AND MOUNTING

The “P” Series models are intended for mounting in a standard 19.0-inch equipment rack. Four screws, two on each side of the front panel, should be used to secure the unit in place.

NOTICE

The unit should be provided with proper ventilation. The top, rear and both sides of the unit should be free of obstructions. Follow the instructions in paragraphs 3-2 through 3-10 for setup and operation of the equipment.

Table 2-1
2kW to 3kW High Series Input/Output Connectors

CONNECTOR	FUNCTION	CONNECTS TO
FL1 - AC FL1 - AC FL1 - AC CHASSIS - GND Pos. Bus Bar Neg. Bus Bar Pos. Threaded Stud Neg. Threaded Stud J1	Prime Power Input (Std) (with opt. 3 phase) Output Power <=60 volt models (see Table 2-3) >=80 volt models (see Table 2-3) Control Interface	190-253 VAC (Std) 47-63 Hz Power Source User load(s) See Table 3-1 for a description

Table 2-2
5kW to 15kW and 16kW to 30kW Series Input/Output Connectors

CONNECTOR	FUNCTION	CONNECTS TO
FL1 - AC FL1 - AC FL1 - AC CHASSIS - GND Pos. Bus Bar Neg. Bus Bar Pos. Threaded Stud Neg. Threaded Stud J1	Prime Power Input Output Power <=60 volt models (see Table 2-3) >=80 volt models (see Table 2-3) Control Interface	200-240 VAC (Std) 47-63 Hz 360-440 VAC (option) 432-528 VAC (option) User load(s) See Table 3-1 for a Description

Table 2-3
Output Connection Descriptions

SUPPLY TYPE	CONNECTION DESCRIPTION
2kW to 3kW <=60V	Bus Bar with hole for 3/8" bolt
3.3kW to 15kW <=60V	Bus Bar with two holes for 3/8" bolts
16kW to 30kW <=60V	Bus Bar with three holes for 3/8" bolts
2kW to 3kW >=80V	Terminal Block with 10-32 screws
3.3kW to 15kW >=80V	3/8" Threaded Studs
16kW to 30kW >=80V	3/8" Threaded Studs

Table 2-4
Input Connection Descriptions

INPUT VOLTS	PHASE COUNT	P62 NON-MODULAR	P63, P83, D3 NON-MODULAR	P66, P86 MODULAR
220/230	1-phase	8-32	NA	NA
208	3-phase	8-32	¼ - 20	¼ - 20
400	3-phase	NA	10 - 32	¼ - 20
480	3-phase	NA	10 - 32	¼ - 20

Note: Observe the maximum torque specification indicated in the housing.

2.4 WIRE SIZING

Care must be taken to properly size all conductors for the input and output of the power supply. Table 2-5 below gives *minimum* recommended wire size for the input. This table is derived from the National Electrical Code and is for reference only. Local laws and conditions may have different requirements. The table is for copper wire only.

Table 2-5
Minimum Wire Size Table

SIZE	TEMPERATURE RATING OF COPPER CONDUCTOR			
	60 °C	75 °C	85 °C	90 °C
	TYPES	TYPES	TYPES	TYPES
AWG MCM	RUW, T, TW, UF	FEPW, RH, RHW, RUH, THW, THWN, XHHW, USE, ZW	V, MI	TA, TBS, SA, AVB, SIS, FEP, FEPB, RHH, THHN, XHHW
	CURRENT RATING			
14	20	20	25	25
12	25	25	30	30
10	30	35	40	40
8	40	50	55	55
6	55	65	70	75
4	70	85	95	95
3	85	100	110	110
2	95	115	125	130
1	110	130	145	150
0	125	150	165	170
00	145	175	190	195
000	165	200	215	225
0000	195	230	250	260

For higher ratings wires can be paralleled or refer to the National Electrical Code. Refer to Table 2-6 for AC input current requirements.

Table 2-6
Maximum AC Current Ratings

Input V	Input Line Current						Unit of Measure
	3.3 kW	6.6 kW	10 kW	13.3 kW	16.6 kW	20 kW	
200-240 VAC	15	29	44	57	72	87	Amps AC per phase
360-440 VAC	10	19	28	37	46	56	
480 VAC	9	18	27	35	44	53	

2.5 OUTLINE DRAWINGS

The following pages (figures 2-1 through 2-6) show the outlines and overall dimensions for the "P" product lines.

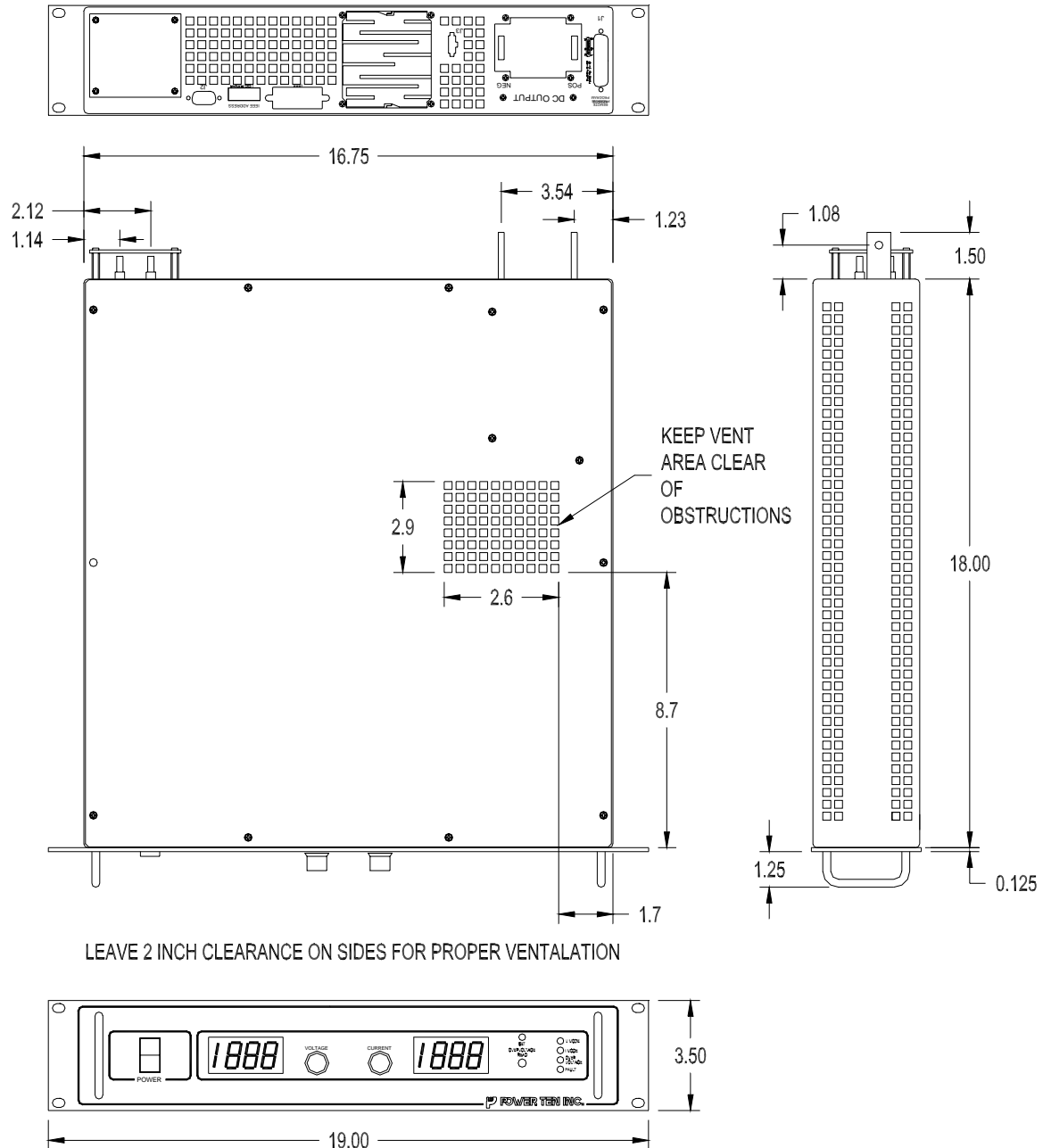
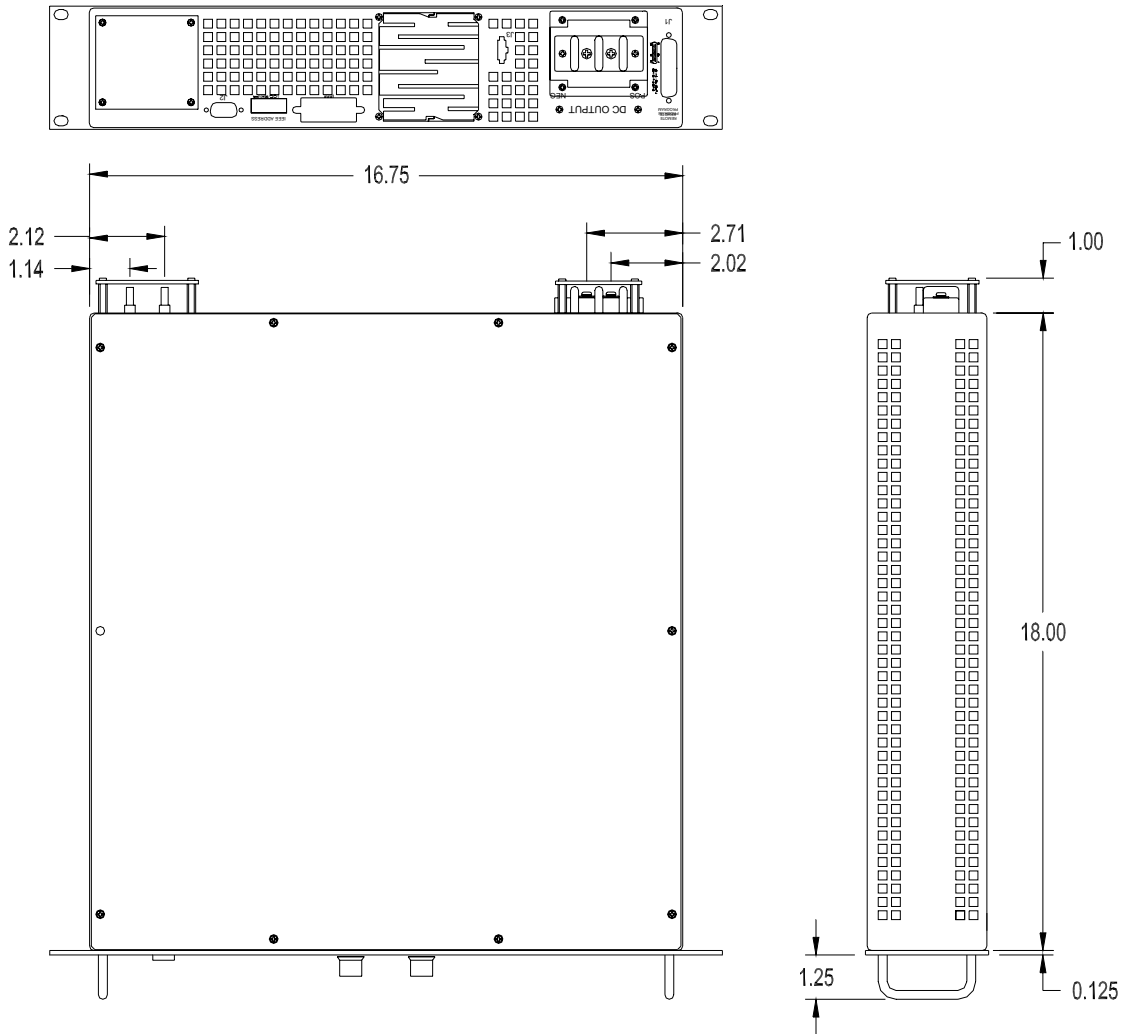


Figure 2-1
P62 Outline Drawing, 2kW to 3kW (Output Voltage ≤ 60 V)



LEAVE 2 INCH CLEARANCE ON SIDES FOR PROPER VENTILATION

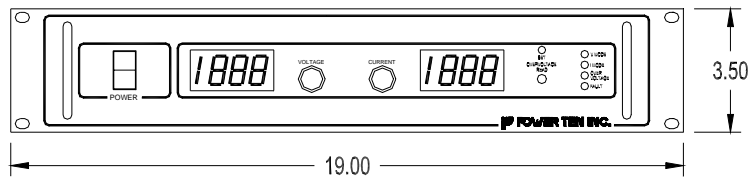


Figure 2-2
P62 Outline Drawing, 2kW to 3kW (Output Voltage ≥ 80 V)

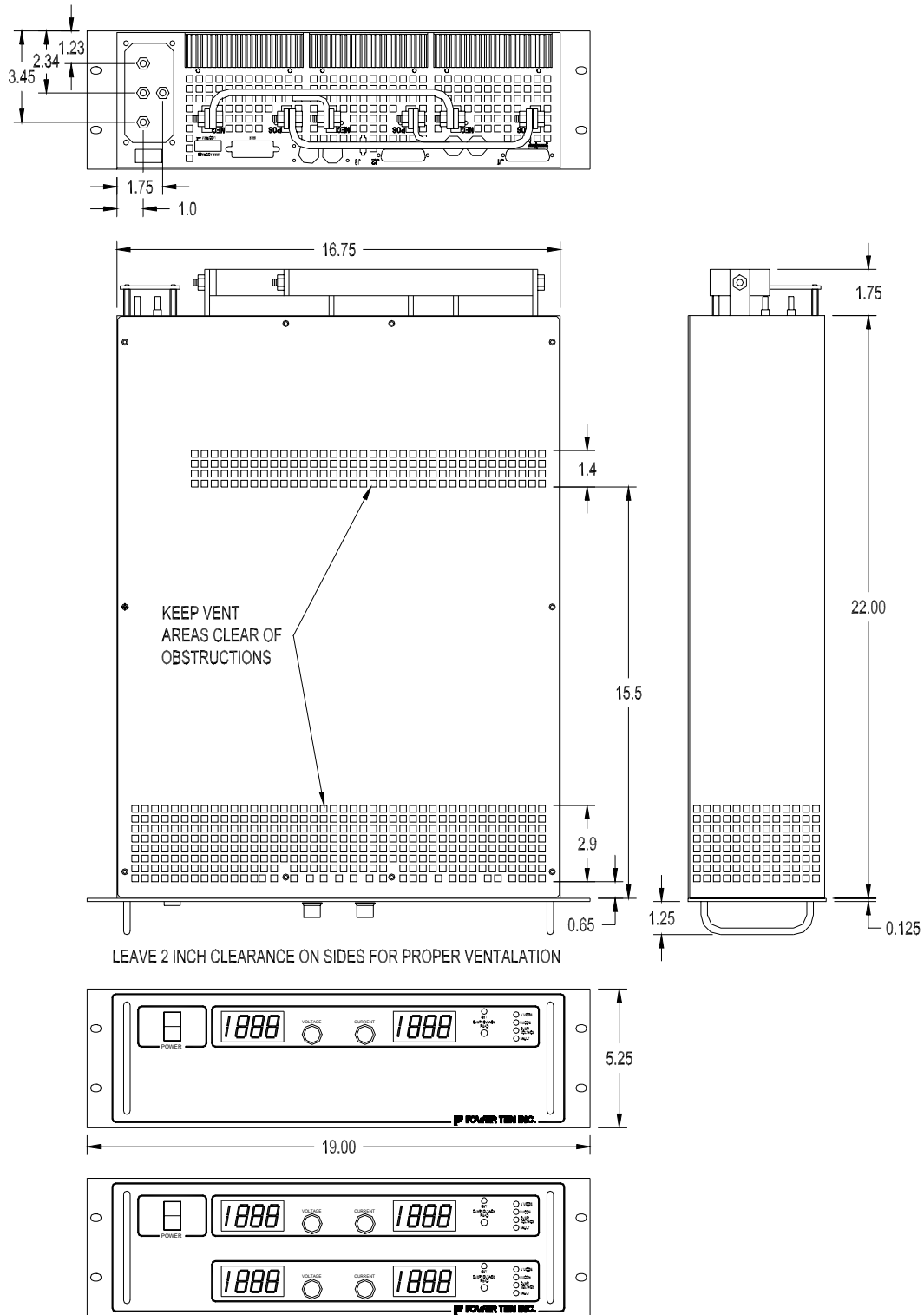


Figure 2-3
P63 & D3 Outline Drawing, 3.3KW to 10KW (Output Voltage ≤ 60 V)

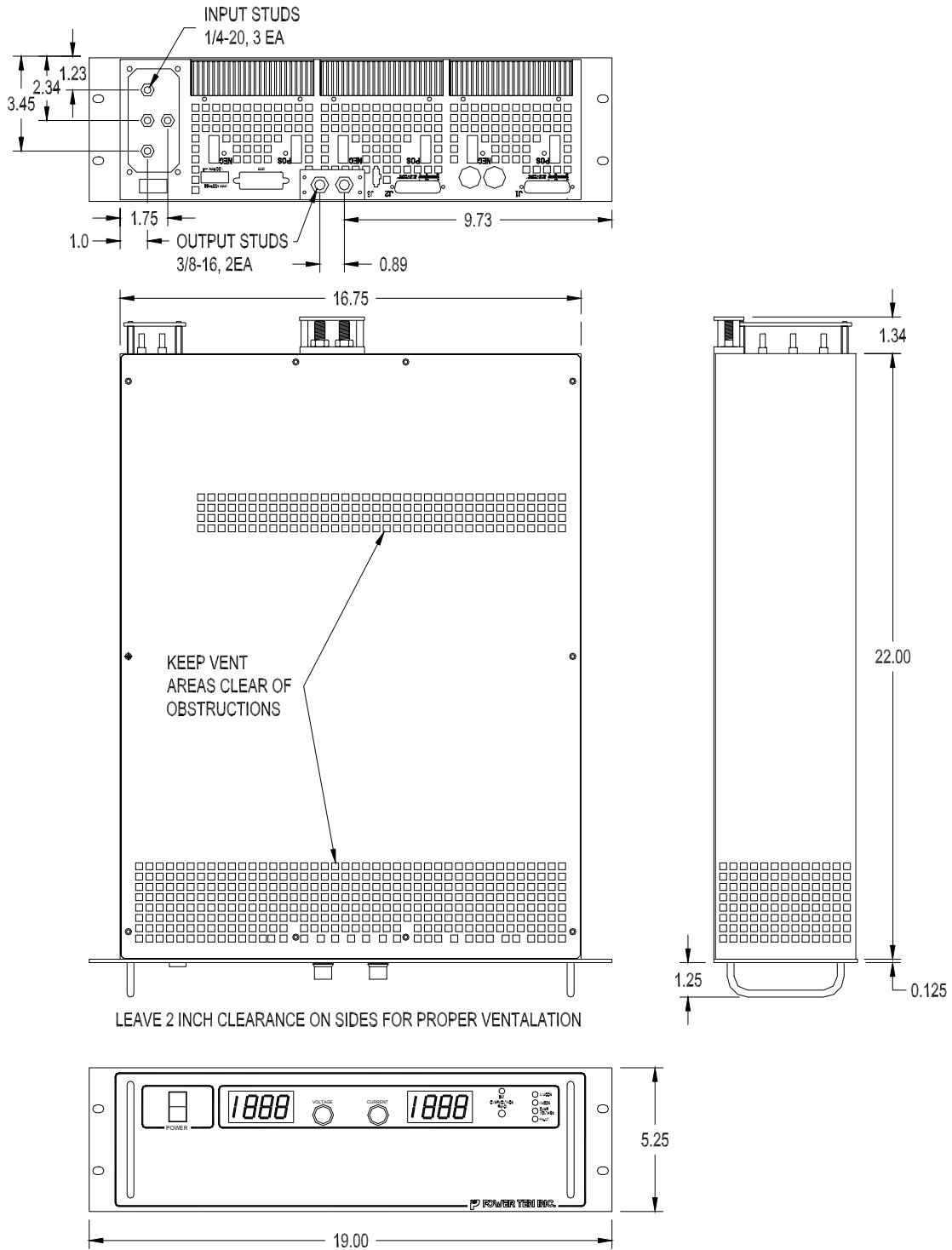


Figure 2-4
P83 Outline Drawing, 5.0KW to 15KW (Output Voltage ≥ 80 V)

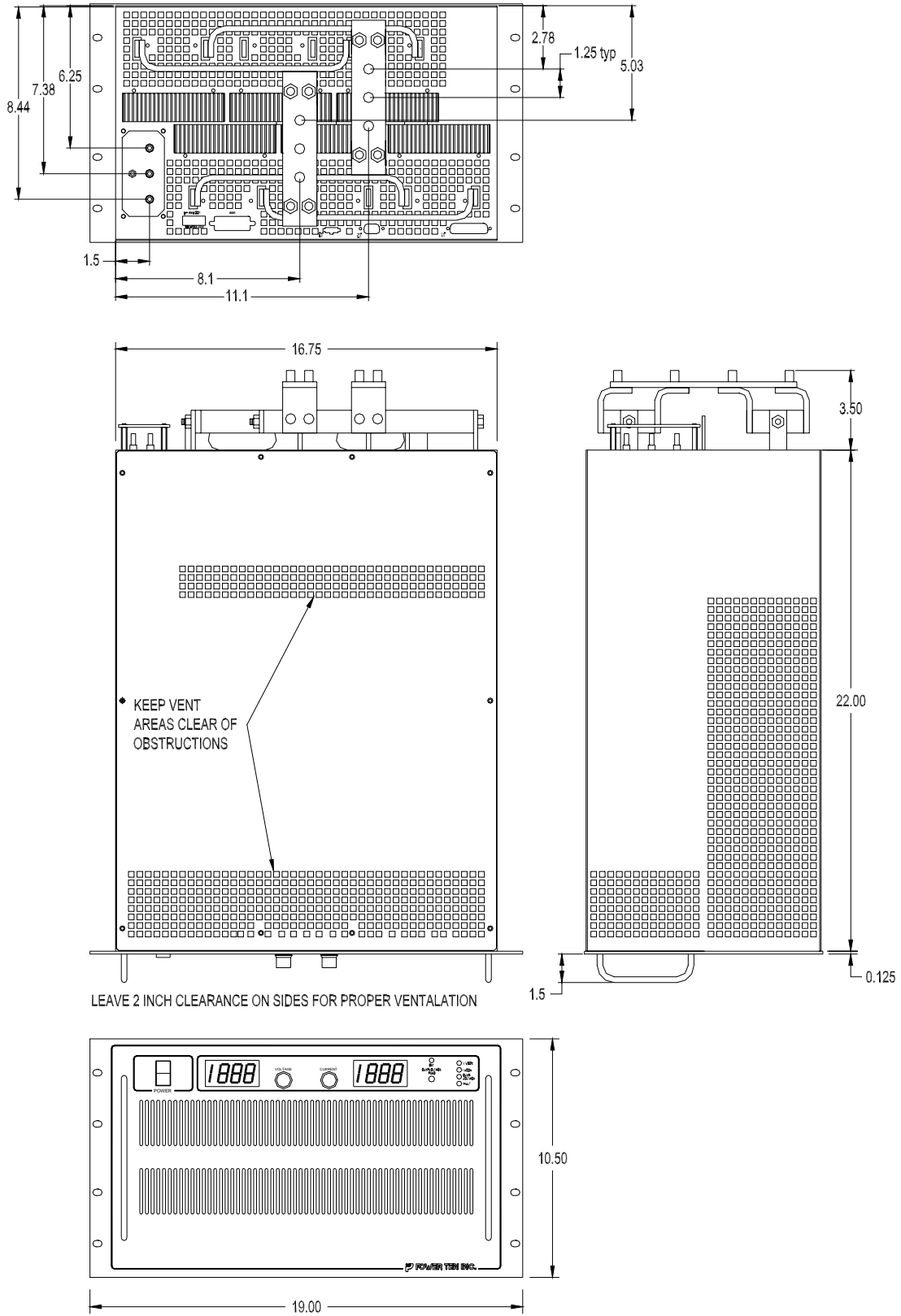


Figure 2-5
P66 Outline Drawing, 13.3kW to 20kW (Output Voltage ≤ 60 V)

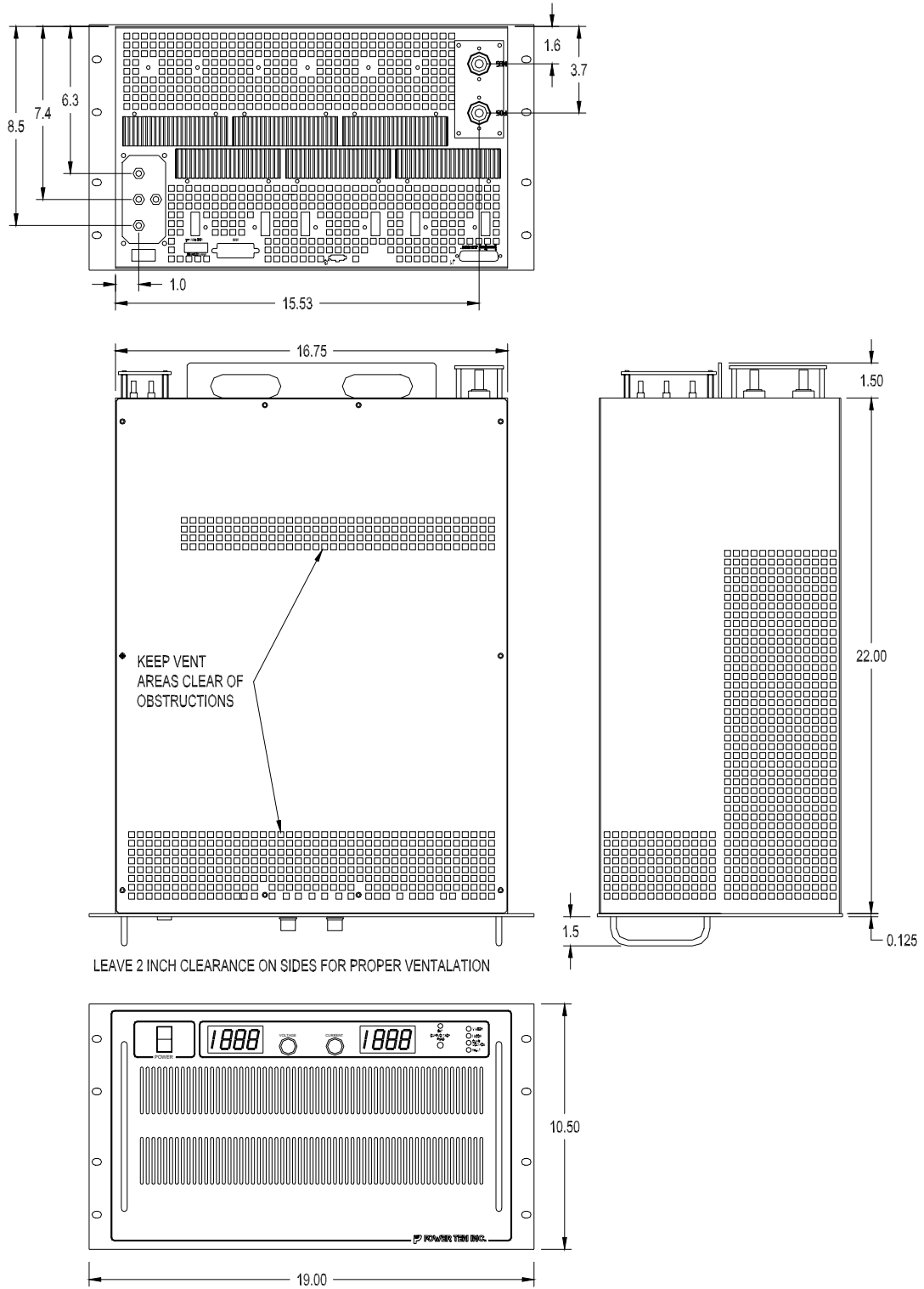


Figure 2-6
P86 Outline Drawing, 20KW to 30KW (Output Voltage ≥ 80 V)

This page intentionally left blank.

Chapter 3

OPERATING INSTRUCTIONS

3.1 CONTROLS AND INDICATORS

Front panel controls and indicators for the 'P' Series are identified in Figure 3-1. Although different models may have different heights, the controls remain the same across the entire series. Table 3-1 provides a description of all operator controls and indicators.

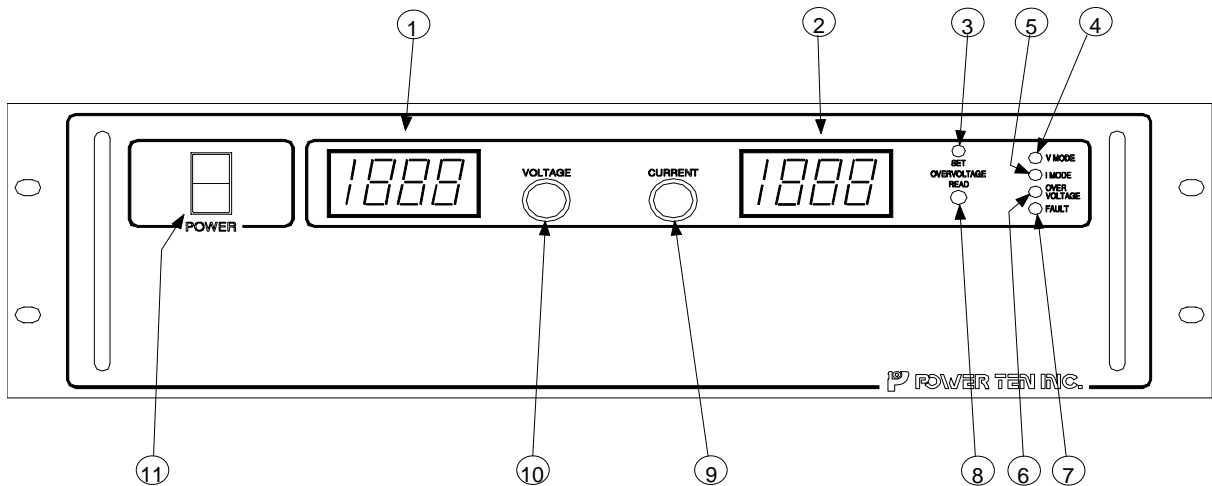


Figure 3-1
P6x, P8x, and D3 Series Controls and Indicators

For the D3 Series, the Controls and Indicators for PS1 are on the top half of the front panel, for PS2 they are on the bottom half of the panel.

Table 3-1
P62, P63, P66, P83, P86, and D3 Series Controls and Indicators

FIGURE & INDEX NO.	CONTROL/INDICATOR	FUNCTION
3-1 & 3-2		
1	VOLTAGE Meter	Measures voltage output.
2	CURRENT Meter	Measures current output.
3	Overvoltage Potentiometer	Adjusts overvoltage trip level.
4	Voltage Mode Indicator	Indicates the power supply is operating in the voltage mode.
5	Current Mode Indicator	Indicates the power supply is operating in the current mode.
6	Overvoltage Indicator	Indicates output voltage has exceeded preset level, and power supply output is turned off.
7	Fault Indicator	Indicates internal fault such as bias supply, thermal, or converter failure.
8	Readback Overvoltage	Reads back the actual overvoltage trip level on the voltage meter display.
9	Local Output Current Control	Adjusts current output to a desired level.
10	Local Output Voltage Control	Adjusts voltage output to a desired level.
11	ON/OFF Switch	Applies bias power to the power supply.

Table 3-2
Connector J1 Designations and Functions

J1 DESIGNATOR	SCHEMATIC SYMBOL	FUNCTIONAL DESCRIPTION
1	ISO ON/OFF	Isolated remote on/off. Externally supplied AC/DC voltage source for on/off control. A positive(+) voltage will turn on the supply. This input control is optically isolated from the power supply circuit up to 500 VDC.
2	ISO RTN	Isolated circuit return used with isolated on/off control J1-1 and J1-14.
3	REM OV SET	Remote overvoltage set. A remote signal sets the overvoltage trip level. 0-5 VDC = 0-100%.
4	VP RTN	Voltage programming return. Used with J1-9, J1-15 or J1-21 and must be referenced to or within $\pm 3V$ of the circuit common.
5	ON/OFF	Remote on/off. Switch/relay contacts or a direct short between this terminal and circuit common turns on the unit.
6	COM	Common Circuit.
7	I MON	Output current monitor. 0-10 VDC equals 0-100% rated current.
8	V SET	0-5 VDC local voltage control monitor.
9	VP 5V	Remote voltage programming using a 0-5 VDC source.
10	IP 5V	Remote current programming using a 0-5 VDC source.
11	ISET	0-5 VDC local current control monitor.
12	SENSE -	Remote Sense (-) on <60 volts output units.
13	SENSE +	Remote Sense (+) on <60 volts output units.
14	ISO TTL/CMOS	Isolated TTL/CMOS on/off control. A high state TTL/CMOS voltage turns on the power supply, and a low state or open connection turns the supply off.

Table 3-3
D-Shell Connector J1 Designations and functions – Continued

J1 DESIGNATOR	SCHEMATIC SYMBOL	FUNCTIONAL DESCRIPTION
15	VP 10V	Remote voltage programming using a 0-10 VDC source.
16	IP 10V	Remote current programming using a 0-10 VDC source.
17	FAULT	Fault state. A high state indicates a converter, temperature or bias supply fault, and the LED on the front panel will illuminate.
18	S/D FAULT	Shutdown fault. This terminal goes to high state in the event of converter, temperature, overvoltage or bias supply fault.
19	V MON	Output voltage monitor. 0-10 VDC equals to 0-100% rated voltage.
20	VP RTN	Voltage programming return. Used with J1-9, J1-15 or J1-21 and must be referenced to or within $\pm 3V$ of the circuit common.
21	VP RES	1 milliamp current source for remote voltage programming using resistance. 0-5k ohm resistor referenced to common will program the output voltage from 0-100%.
22	IP RES	1 milliamp current source for remote current programming using resistance. 0-5k ohm resistor referenced to common will program the output from 0-100%.
23	IP RTN	Current programming return. Used with J1-10, J1-16 or J1-22 and must be referenced to or within $\pm 3V$ of the circuit common.
24	COM	Circuit common.
25	IP RTN	Current programming return. Used with J1-10, J1-16 or J1-22 for remote current programming and must be referenced to or within $\pm 3V$ of the circuit common.

Note: This interface is not usable on units equipped with digital programming functionality, i.e., the “R” and “S” series models.

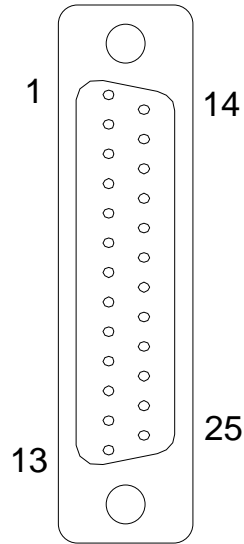


Figure 3-2
Pin-out for Connector J1

The following paragraphs provide setup and operating procedures for the P62, P63, P66, P83, P86, and D3 Series.

The power supply may be configured via connector J1 on the rear panel for different operating configurations: local and remote current programming, local and remote voltage programming, normal parallel, auto-parallel, normal series, auto-series, and auto-tracking. The use and operating requirements of each configuration are provided in the following paragraphs. Reference Table 3-2 for connector J1 designations and functions. See Figure 3-2 for pin-out diagram.

3.2 LOCAL OPERATION

Units are shipped from the factory configured for local voltage/current control and local voltage sensing. Units are shipped from the factory configured for local voltage/current control and local voltage sensing. J1 is supplied with a mating connector with remote on/off jumpered for ON (terminal 5 shorted to terminal 6). Prior to turning the unit on, rotate the voltage and current potentiometers fully counterclockwise (minimum output). Then, turn the power ON and adjust the voltage and current to the desired output.

3.3 REMOTE CURRENT PROGRAMMING

The remote current programming is used for applications that require the output current be programmed (controlled) from a remote source. An external resistance or external voltage source may be used as a programming device. When using remote current programming, a shielded, twisted-pair, hookup wire is recommended to prevent noise interference with programming signals.

- a) Remote Current Programming Using Resistance. The resistance coefficient for remote current programming is 5k ohms/100% rated output with respect to terminal J1-23 (IP RTN). The programming current from terminal J1-22 (IP RES) is factory set for 1 milliamperere. This yields a coefficient of 1.0% of rated output current for each 50 ohms. If multiple switches or relays are used to program different levels, make-before-break contacts are recommended. Note that if an external resistance is used for remote programming, the current programming return (IP RTN), terminal J1-23, must be connected directly to or within ± 3 volts of the power supply common terminal, J1-24. See Figure 3-3 for connection requirements.
- b) Remote Current Programming Using a 0-5 VDC or 0-10 VDC Voltage Source. A DC voltage source for remote current programming is connected between J1-10 (IP 5V) or J1-16 (IP 10V) and the return terminal J1-23 (IP RTN). Note that the return terminal J1-23 (IP RTN) must be referenced directly to or within ± 3 V of the power supply common, J1-24. The voltage

coefficient for 5V remote current programming is 50 millivolts = 1% of rated output, i.e., for a 300 amp model, each 50 millivolts of programming voltage equals 3 amps of output current. The voltage coefficient for 10V remote current programming is 100 millivolts = 1% of rated output, i.e., for a 300 amp model, each 100 millivolts of programming voltage equals 3 amps of output current. See Figure 3-4 for connection requirements.

3.4 REMOTE VOLTAGE PROGRAMMING

The remote voltage programming configuration is used for applications that require the output voltage be programmed (controlled) from a remote source. An external resistance or external voltage source may be used as a programming device. When using remote voltage programming, a shielded, twisted-pair, hookup wire is recommended to prevent noise interference with programming signals.

1. External Voltage Programming Using Resistance. The resistance coefficient for remote voltage programming is 5k ohms/100% of rated output voltage with respect to the VP RTN, J1-20. The programming current from terminal J1-21 (VP-RES) is factory set to 1 milliamperes. This yields a coefficient of 1.0% of rated output voltage for each 50 ohms. If multiple switches or relays are used to program different levels, make-before-break contacts are recommended. Note that if an external resistance is used for remote programming, the voltage programming return (VP RTN), terminal J1-20, must be connected directly to or within ± 3 volts of the power supply common terminal, J1-24. See Figure 3-5 for connection requirements.
2. External Voltage Programming Using a 5 VDC or 10 VDC Voltage Source. A DC voltage source for remote voltage programming is connected between J1-9 (VP 5V) or J1-15 (VP 10V) and the return terminal J1-20 (VP RTN). Note that the return terminal (VP RTN) must be referenced directly to or within ± 3 V of the power supply common, J1-24. The voltage coefficient for 5V remote voltage programming is 5 volts = 100% of rated output voltage. The voltage coefficient for 10V remote voltage programming is 10 volts = 100% of rated output voltage. See Figure 3-6 for connection requirements.

3.5 REMOTE SENSING

In applications where the load is located some distance from the power supply, or the voltage drop of the power output leads significantly interferes with load regulation, remote voltage sensing may be used. When remote sensing is used, voltage is regulated at the load versus the power supply output terminals. To connect the power supply for remote voltage sensing (see Figure 3-7 for connection requirements), perform the following procedure.

CAUTION

If the power supply is operated with load power lines disconnected and sensing line connected, internal power supply damage may occur. (Output current then flows through sensing terminals.)

Connect sensing leads from the load positive to J1-13 and the load negative to J1-12. A shielded, twisted-pair, hookup wire is recommended to avoid potential noise interference.

3.6 REMOTE OUTPUT ON/OFF CONTROL

Remote on/off control may be accomplished by contact closure or by an isolated external AC/DC or TTL/CMOS voltage source.

1. Remote on/off by contact closure. Output is on when contacts are closed. See Figure 3-8 for connection requirements.
2. Remote on/off control may be accomplished by an external 12 to 240 VAC or 6 to 120 VDC or TTL/CMOS source. Application of AC/DC or high state TTL/CMOS voltage will turn on the power supply. See Figures 3-9 and 3-10 for connection requirements.

3.7 REMOTE OVERVOLTAGE SET

A remote DC voltage source can be connected externally between terminals J1-3 (REM OV SET) and J1-6 (COM) to set the output overvoltage trip level. A 0-5 VDC signal equals 0-100% of rated output voltage. See Figure 3-11 for connection requirements. ***Do not program the remote overvoltage set point greater than 10% (5.5V) above the power supply rated voltage as internal power supply damage may occur.***

NOTE

The following modes of operation are used for applications requiring more current or voltage than is available from a single power supply. To meet the requirements for greater output voltage or current, two supplies may be connected in series or parallel.

3.8 AUTO-PARALLEL OPERATION

In the auto-parallel mode of operation, a master/slave configuration is established. Up to four power supplies may be paralleled using this configuration.

CAUTION

When using two supplies in parallel, damage may occur to slave(s) crowbar circuits if slave overvoltage level set is not higher than the master overvoltage level set. To prevent damage, apply a 6 VDC source between J1-3 (REM OV SET) and J1-6 (COM), or set all slave units overvoltage setting to maximum and set the master unit to the desired trip level. If overvoltage protection is not desired, set to trip at maximum rated voltage.

To set up the auto-parallel mode of operation, connect all outputs in parallel to the load. Connect jumper from master J1-7 (I MON) to slave J1-16 (IP 10V), and the slave J1-6 (COM) must be connected to the slave J1-25 (IP RTN). Always set the slave overvoltage to maximum and the master to the desired trip level. Output currents will track automatically. If tracking is not close, perform the calibration procedures listed in Chapter 4. See Figure 3-12 for connection requirements.

3.9 AUTO-SERIES OPERATION

In the auto-series mode of operation, a master/slave configuration is established. No more than two power supplies may be in series. With two supplies connected in series, one is established a master and the remaining unit as a slave. The master supply must always be the most positive unit. Connect Rx between the master positive output and the slave J1-15 (VP 10V), and connect the slave J1-20 (VP RTN) to the slave J1-6 (COM). When operating in the auto-series mode, current control potentiometers of the slave units are active and should be set to maximum clockwise position. See Figure 3-13 for connection requirements and Rx value.

Under no condition should the negative terminal of either supply be greater than 150 volts, positive or negative, from chassis potential.

3.10 AUTO-TRACKING OPERATION

In the auto-tracking mode of operation, a master/slave configuration is established. Up to four power supplies may be connected in the auto-parallel configuration. In this configuration, two or more supplies may be connected with common negative outputs. The slave(s) output voltage is a percentage of the master as controlled by the value of Rx. Individual current controls on both master and slave(s) remain active. See Figure 3-14 for connection requirements.

For equal voltage supplies with volt-per-volt tracking, $R_x = 0$ ohms.

For other ratios or different voltage supplies, R_x can be calculated by using the following formulas:

$$R_x(\text{kohms}) = (10/\text{SMR}) - 10$$

$$\text{SMR}(\text{Slave/Master Ratio}) = \text{SR}(\text{Slave Ratio})/\text{MR}(\text{Master Ratio})$$

where $\text{SR} = \text{slave desired Vout}/\text{rated Vout}$

$\text{MR} = \text{master desired Vout}/\text{rated Vout}$

Example: It is desired to have a slave power supply rated at 20 VDC and operated at 12 VDC, while the master power supply rated at 10 VDC is operated at 8 VDC.

$$\text{The Slave Ratio}(\text{SR}) = 12\text{V}/20\text{V} = .60$$

$$\text{The Master Ratio}(\text{MR}) = 8\text{V}/10\text{V} = .80$$

$$\text{Then; The Slave/Master Ratio}(\text{SMR}) = .60/.80 = .75$$

$$\text{And } R_x(\text{kohms}) = (10/.75) - 10 = 13.33 - 10 = 3.33 \text{ kohms.}$$

Note: The slave ratio (SR) must always be less than or equal to the master ratio (M).

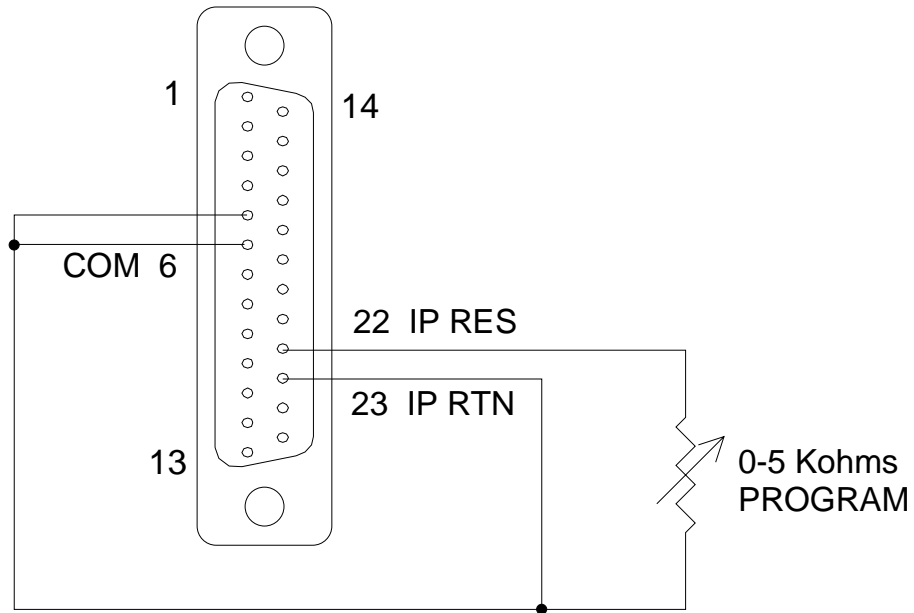


Figure 3-3
Remote Current Programming Using Resistance

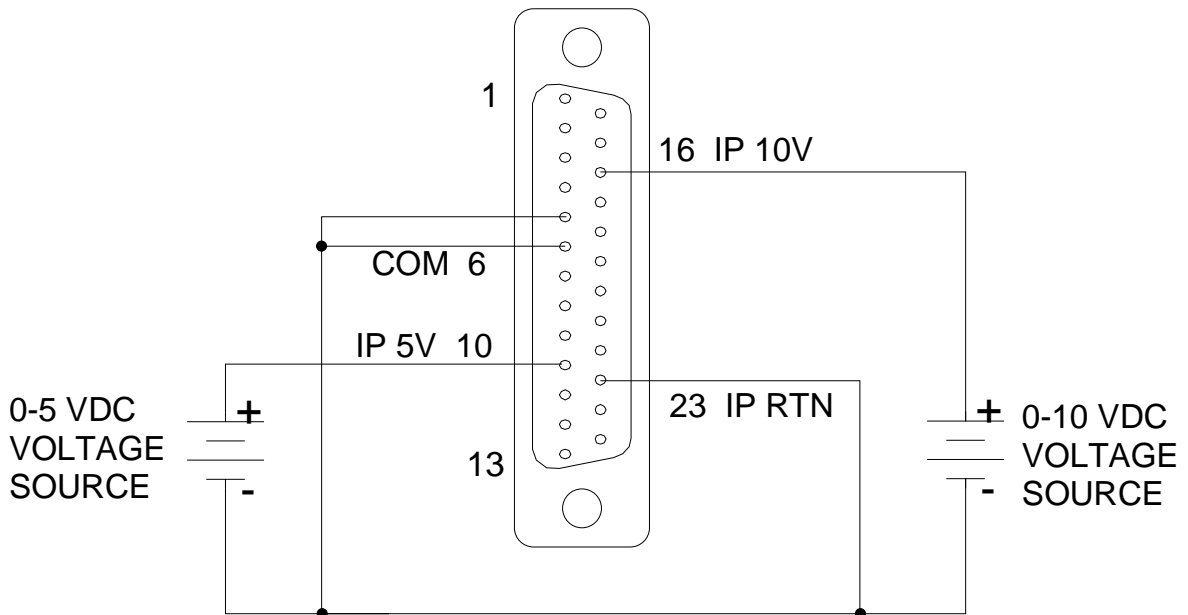


Figure 3-4
Remote Current Programming Using 0-5 VDC or 0-10 VDC Voltage Source

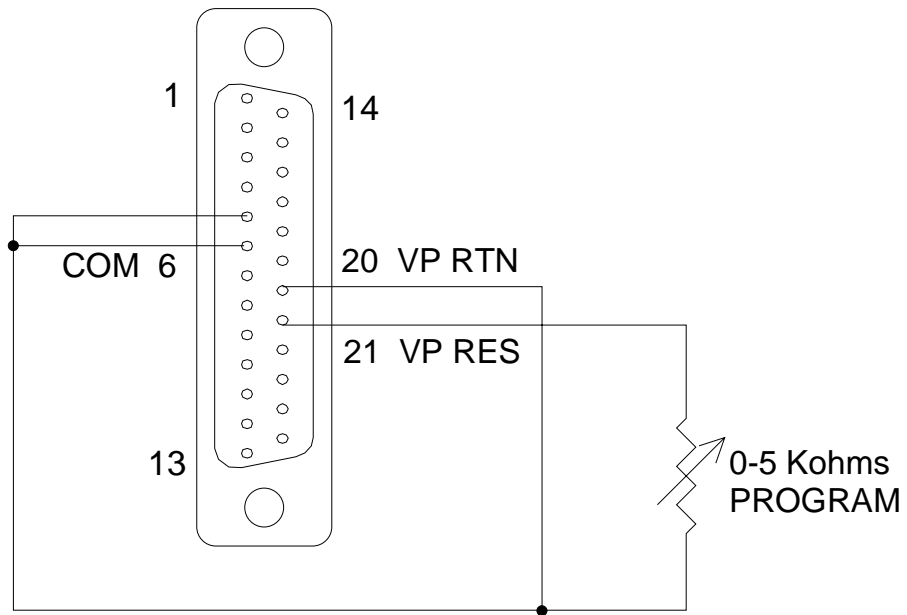


Figure 3-5
Remote Voltage Programming Using Resistance

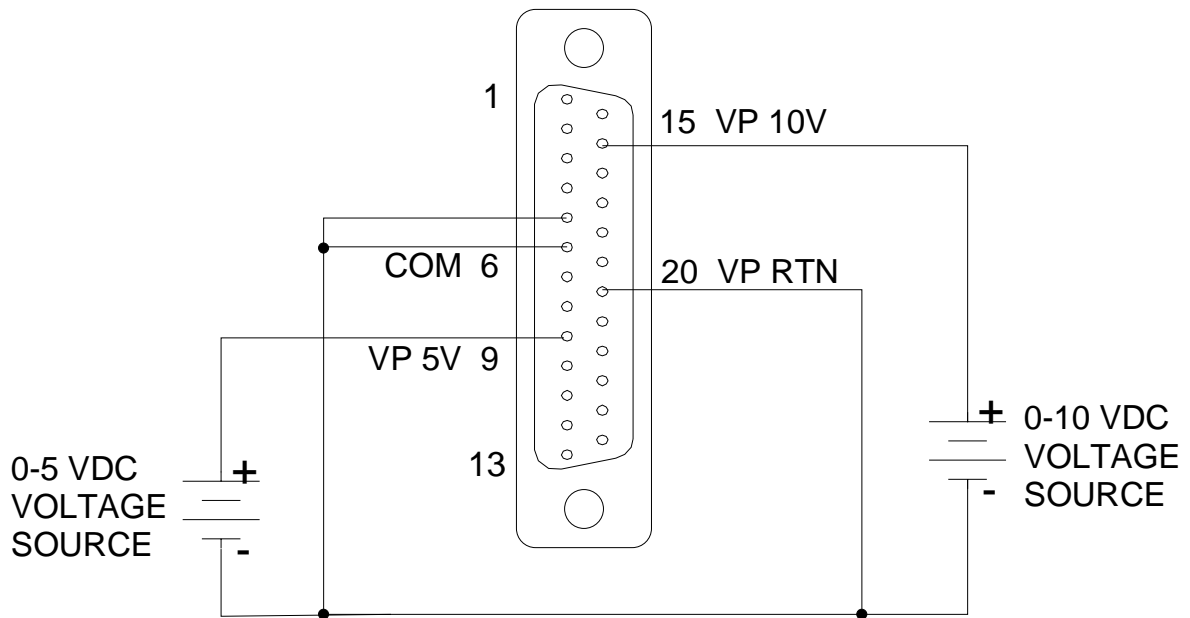


Figure 3-6
Remote Voltage Programming Using 0-5 VDC or 0-10 VDC Voltage Source

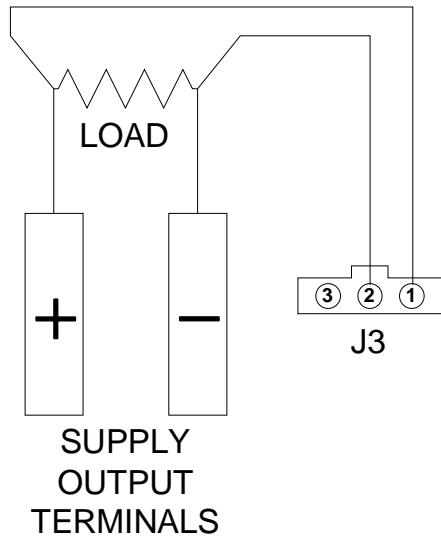


Figure 3-7
Remote Sensing Operation at the Load

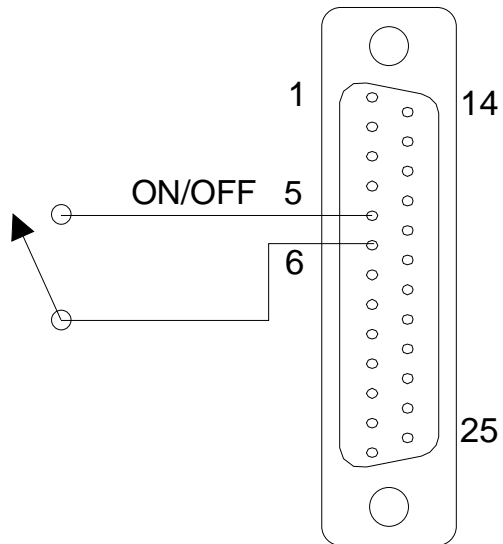


Figure 3-8
Remote On/Off Control by Contact Closure

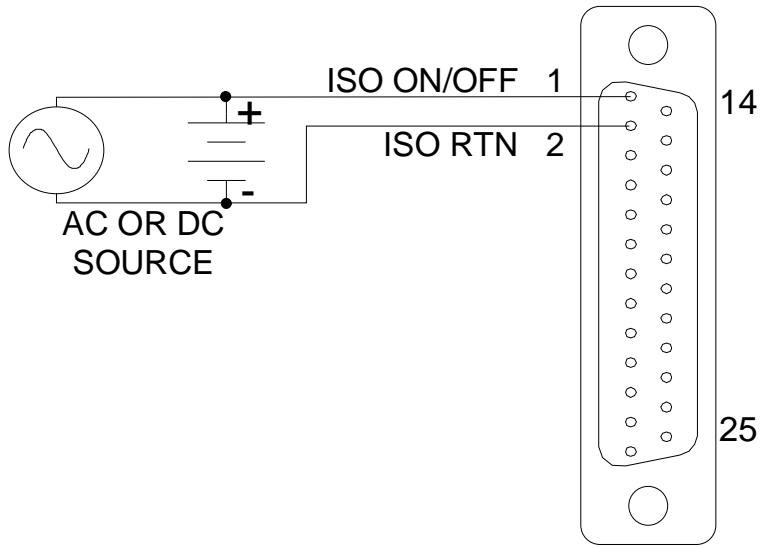


Figure 3-9
Remote On/Off Using Isolated AC or DC Voltage Source

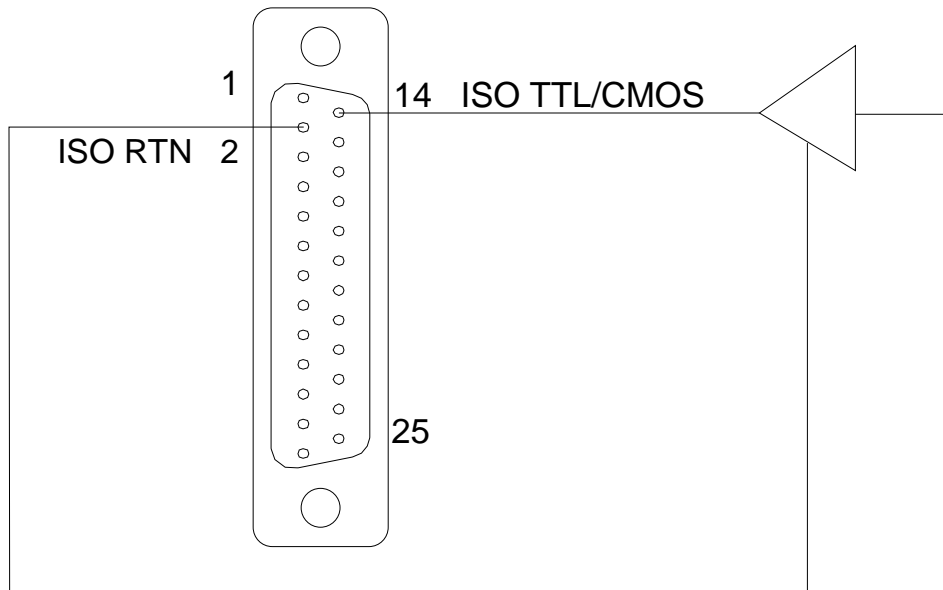


Figure 3-10
Remote On/Off Using Isolated TTL/CMOS Voltage Supply

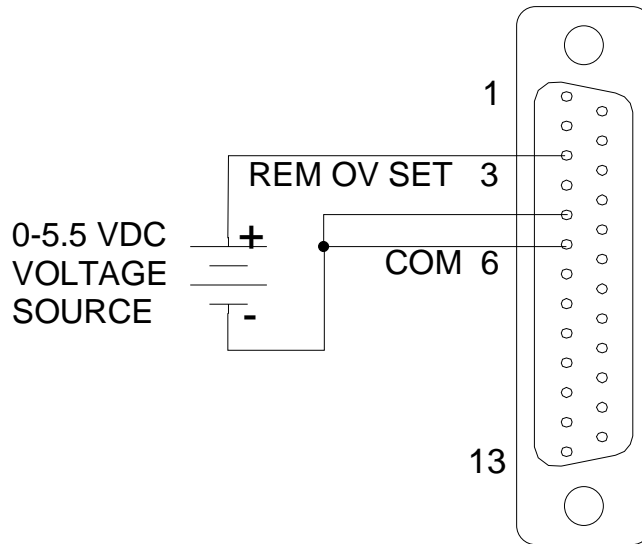


Figure 3-11
Remote Overvoltage Set Using DC Voltage Source

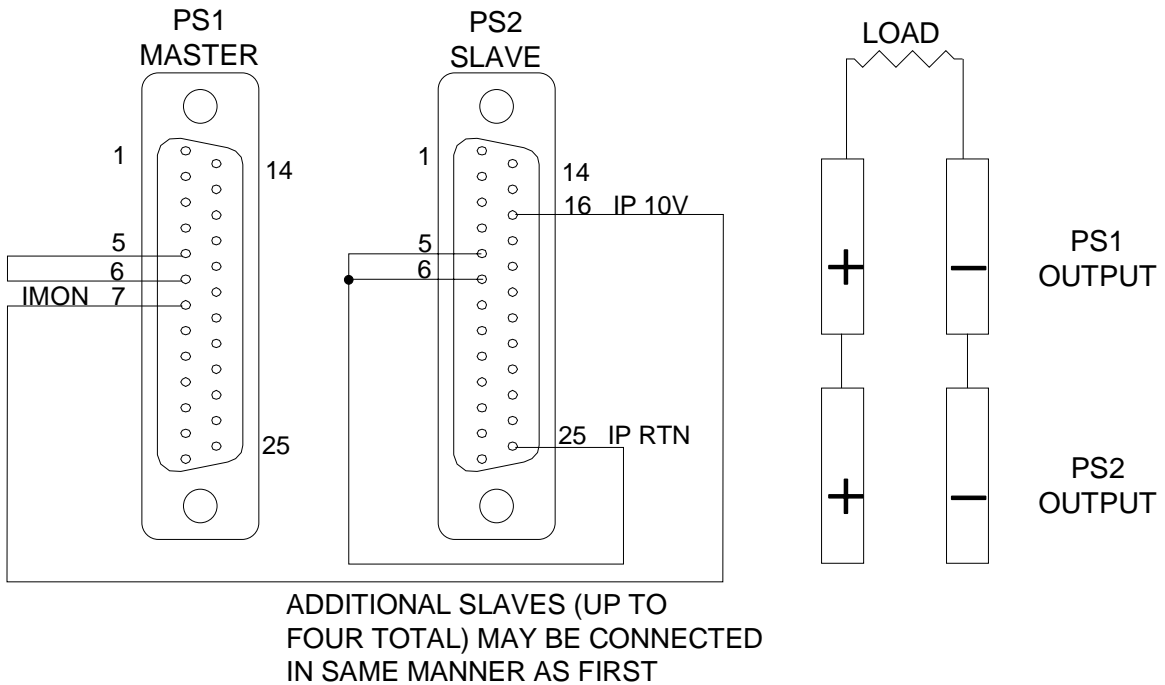
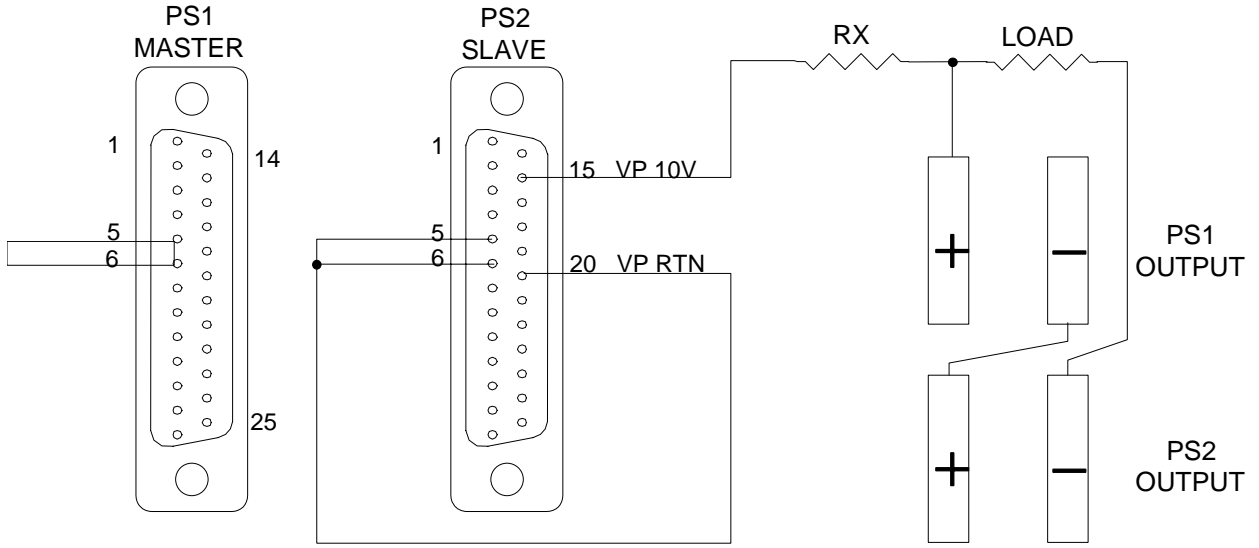


Figure 3-12
Auto-Parallel Operation



$$RX \text{ (K ohms)} = 2(\text{PS1 RATED Vout} + \text{PS2 RATED Vout}) - 20$$
 EXAMPLE: FOR A 20 VOLT RATED PS1 AND A 10 VOLT RATED PS2

$$RX = 2(20+10)-20 = 40\text{K ohms}$$

Figure 3-13
Auto-Series Operation

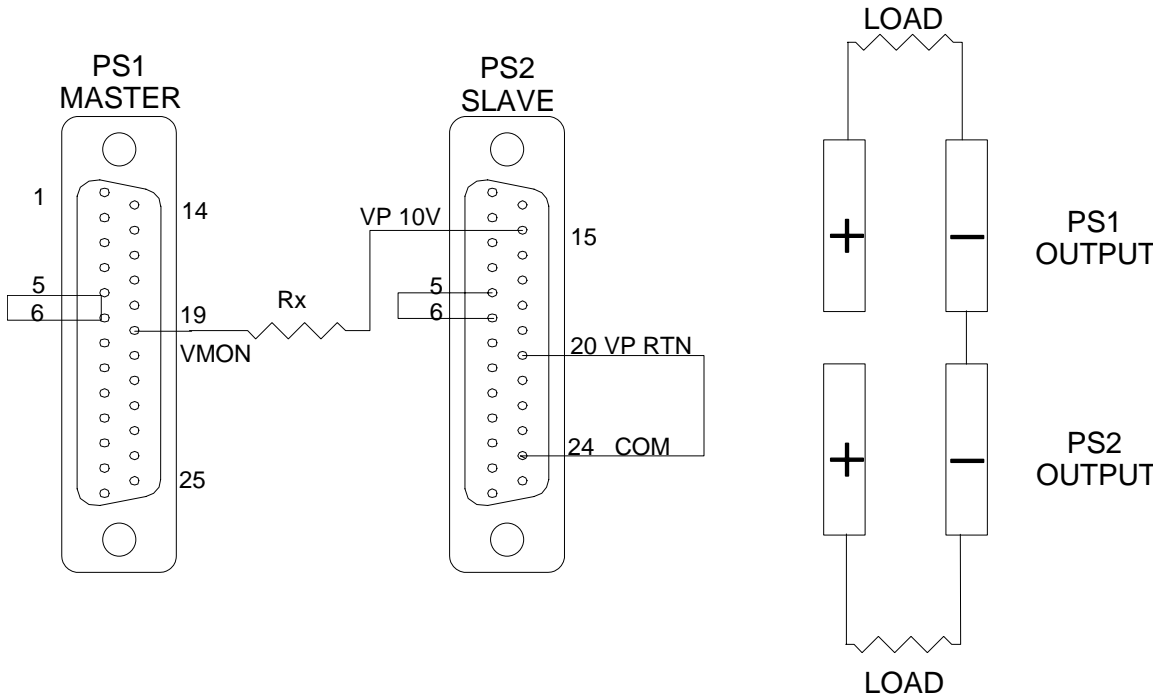


Figure 3-14
Auto-Tracking Operation

This page intentionally left blank.

Chapter 4

CALIBRATION

4.1 INTRODUCTION

This chapter contains calibration procedures for the P62, P63, P66, P83, P86 and D3 Series.

4.2 CALIBRATION AND ADJUSTMENTS

To perform the following calibration and adjustment procedures, the cover must be removed from the power supply. Because removal of the cover allows access to potentially hazardous power voltages (up to 253 VAC or 450 VDC) and because of the importance of accurate readings to performance, only technically trained personnel should perform calibration procedures.

WARNING

Hazardous voltages exist on the rear of the supply. Great care must be taken to avoid both the input terminals, and while the supply is enabled, the output terminals. Only authorized personnel should perform this procedure.

The calibration Test Setup procedures require the following: remove prime power, then connect the power supply to a resistive load capable of full-rated voltage and current. Connect a precision current shunt in series with either the positive or negative output between the power supply and the resistive load. Two digital multimeters are required to perform the calibration procedures.

To properly calibrate the power supply first calibrate the power converter then calibrate the control card as described in the following sections.

4.2.1 P62 Series Calibration Procedures

In this section refer to Figure 4-1 for locations of assemblies in the P62.

5V Reference Calibration

The 5V reference for the front panel voltage and current control must be calibrated first. Refer to Figure 4-7 for locations of components on the control assembly.

- a. With prime power removed, remove jumper J9 on the converter assembly.
- b. Connect a digital multimeter (DMM) between E1 and E3 of the current control potentiometer R32 on the control assembly.
- c. Apply prime power to the power supply, and push the front panel switch to the ON position.
- d. Adjust potentiometer R29 until DMM across E1 and E3 indicates 5.000 VDC.
- e. Remove prime power from power supply and wait 3 minutes (minimum) for filter capacitors to discharge.

Converter Assembly Calibration

For proper results, converter assembly A2 must be calibrated prior to the calibration of control assembly A1. Refer to Figure 4-3 for component locations on the P62 converter assembly.

Current Limit Calibration.

1. With prime power removed, install jumper J9 on the converter assembly.
2. Connect a load of minimum 5% heavier than full-rated power and a DMM across external current shunt.
3. Rotate front panel voltage control fully clockwise.
4. Rotate front panel current control fully counterclockwise.
5. Apply prime power to power supply, and push the front panel switch to the ON position.
6. Rotate front panel current control fully clockwise or until DMM across external current shunt indicates a maximum of 5% above the converter assembly rated output current. Adjust potentiometer R64 until the supply puts out 5% over the rated current when the front panel current pot is fully clockwise.

If the fault light lights before the output reaches 5% over the maximum rating, adjust the internal current limit. To adjust the internal current limit set R73 so the fault light just goes off at 5% over maximum rating.

7. Once the converter is delivering 105% of rated current and the current mode indicator on the front panel is illuminated, rotate R73 counterclockwise until the current mode indicator just extinguishes. Do not adjust beyond this point.

8. Remove prime power from the power supply, and wait three minutes (minimum) for the filter capacitors to discharge.

Current Feedback Amplifier Zero Calibration.

1. Remove jumper J9 on the converter board.
2. Connect a DMM between the output of U8, pin 1, and the common return (on converter assembly A2).
3. Apply prime power to power supply, and push the front panel switch to the ON position.
4. Adjust R68 for zero null (minimum voltage on DMM).
5. Remove prime power from the power supply, and wait 3 minutes (minimum) for filter capacitors to discharge.
6. Replace jumper J9.

Current Feedback Amplifier Full-Scale Calibration.

1. Remove prime power to the power supply, and leave jumper installed on J9.
2. Connect DMM between the output of the current feedback scaler U8, pin 1, and the common circuit. Set DC voltage scale to read 5.0 volts.
3. Connect a second DMM across the external current shunt.
4. Rotate front panel voltage control fully clockwise.
5. Rotate front panel current control fully counterclockwise. This changes the operation of the power supply from the voltage to the current mode.
6. Apply prime power to power supply, and push the front panel switch to the ON position.
7. Rotate front panel current control clockwise until DMM indicates 5.000 VDC between U8, pin 1, and common.
8. Adjust converter assembly potentiometer R64 until DMM across external current shunt indicates full-rated output current.
9. Remove prime power from power supply and wait 3 minutes (minimum) for filter capacitors to discharge.

4.2.2 P63, P66 and D3 Series Calibration procedures

In this section refer to Figures 4-2 and 4-6 for locations of assemblies and potentiometers.

5V Reference Calibration

The 5V reference for the front panel voltage and current control must be calibrated first. Refer to Figure 4-6 for locations of components on the control assembly.

- a. With prime power removed, remove jumper J7 on all converter assemblies.
- b. Connect a digital multimeter (DMM) between E1 and E3 of the current control potentiometer R32 on the control assembly.
- c. Apply prime power to the power supply, and push the front panel switch to the ON position.
- d. Adjust potentiometer R29 until DMM across E1 and E3 indicates 5.000 VDC.
- e. Remove prime power from power supply and wait 3 minutes (minimum) for filter capacitors to discharge.

Converter Assembly Calibration

For proper results, the converter assemblies must be calibrated prior to the calibration of control assembly A1. Refer to Figure 4-5 for locations of components on the converter assembly.

Current Limit Calibration

1. Remove prime power to the power supply. Remove jumper J7 from all converter assemblies not being calibrated. Leave jumper installed on assembly to be calibrated.
2. Connect a load of minimum 5% heavier than full-rated power and a DMM across external current shunt.
3. Rotate front panel voltage control fully clockwise.
4. Rotate front panel current control fully counterclockwise.
5. Apply prime power to power supply, and push the front panel switch to the ON position.
6. Rotate front panel current control fully clockwise or until DMM across external current shunt indicates a maximum of 5% above the converter assembly rated output current. (The converter assembly rated output = the power supply rated output divided by the number of converter assemblies.) For 10 kW models, there are three converter assemblies. Adjust potentiometer R33 until the supply puts out 5% over the rated current when the front panel current pot is fully clockwise.

If the fault light lights before the output reaches 5% over the maximum rating adjust the internal current limit. To adjust the internal current limit set R54 so the fault light just goes off at 5% over maximum rating.

7. Once the converter is delivering 105% of rated current and the current mode indicator on the front panel is illuminated, rotate R54 counterclockwise until the current mode indicator just extinguishes. Do not adjust beyond this point.
8. Remove prime power from the power supply and wait three minutes (minimum) for the filter capacitors to discharge.
9. Repeat steps (1) through (8) for the balance of converter assemblies A3 through A5.

Current Feedback Amplifier Zero Calibration

1. With prime removed, remove jumper J7 from all converter assemblies.
2. Apply prime power to power supply, and push the front panel switch to the ON position.
3. Connect DMM between TP2 (U2, pin 1) and TP1 (common return) to the converter assembly to be calibrated.
4. Adjust R36 for zero null (minimum voltage range on DMM).
5. Repeat steps 3 and 4 for the balance of the converter assemblies A3 through A5.
6. Remove prime power from the power supply and wait three minutes (minimum) for filter capacitors to discharge.
7. Replace jumper J7.

Current Feedback Amplifier Full-Scale Calibration.

1. Remove prime power to the power supply. Remove J7 on all converter assemblies not being calibrated. Leave jumper installed on assembly to be calibrated.
2. Connect DMM between TP2 (U2, pin 1) and TP1 (common return). Set DC voltage scale to read 5.0 volts.
3. Connect a second DMM across the external current shunt.
4. Rotate front panel voltage control fully clockwise.
5. Rotate front panel current control fully counterclockwise. This changes the operation of the power supply from the voltage to the current mode.
6. Apply prime power to power supply, and push the front panel switch to the ON position.
7. Rotate front panel current control clockwise until DMM between TP2 and TP1 indicates 5.000 VDC.
8. Adjust potentiometer R33 of converter assembly being calibrated until DMM across external current shunt indicates one-third the full-rated output current for 10 kW power supply models.
9. Remove prime power from power supply and wait 3 minutes (minimum) for filter capacitors to discharge.
10. Repeat steps (1) through (9) for the balance of converter assemblies A3 through A5.

4.2.3 P83 and P86 Series Calibration procedures

In this section refer to Figures 4-4 and 4-5 for locations of assemblies and potentiometers.

5V Reference Calibration

The 5V reference for the front panel voltage and current control must be calibrated first. Refer to Figure 4-3 for locations of components on the control assembly.

- a. With prime power removed, remove jumpers J11 and J12 on the surge limit & power switch board of all converter assemblies.
- b. Connect a digital multimeter (DMM) between E1 and E3 of the current control potentiometer R32 on the control assembly.
- c. Apply prime power to the power supply, and push the front panel switch to the ON position.
- d. Adjust potentiometer R29 until DMM across E1 and E3 indicates 5.000 VDC.
- e. Remove prime power from power supply and wait 3 minutes (minimum) for filter capacitors to discharge.

Converter Assembly Calibration

For proper results, the converter assemblies must be calibrated prior to the calibration of control assembly A1. Refer to Figures 4-4 and 4-5 for locations of components on the converter assembly.

Primary Current Limit Calibration

1. Remove prime power to the power supply. Remove jumpers J11 and J12 on all converter assemblies not being calibrated. Leave jumpers installed on assembly to be calibrated.
2. Connect a load of 5% heavier than full-rated power of the converter assembly rated output power. (The converter assembly rated output power = the power supply rated output power divided by the number of converter assemblies.) For 15 kW models, there are three converter assemblies.
3. Connect a DMM across external current shunt.
4. Connect a second DMM across the output terminals of the power supply. Set DMM to read maximum rated power supply output voltage.
5. Connect a third DMM across two of the three AC input terminals of the power supply. Set DMM to read maximum rated power supply input voltage.
6. Connect a variable transformer in series with the prime power of the power supply.
7. Rotate front panel voltage control fully clockwise.

8. Rotate front panel current control fully counterclockwise.
9. Apply prime power to power supply, and push the front panel switch to the ON position. Adjust the variable transformer until the DMM indicates the minimum rated power supply input voltage across the AC input terminals.
10. Rotate front panel current control fully clockwise or until DMM across external current shunt indicates a maximum of 5% above the converter assembly rated output current. (The converter assembly rated output equals the power supply rated output divided by the number of converter assemblies.) For 15 kW models, there are three converter assemblies. Adjust potentiometer R40 until the supply puts out 5% over the rated current when the front panel current pot is fully clockwise.

If the fault light lights before the output reaches 5% over the maximum rating, adjust the internal current limit. To adjust the internal current limit, set R45 so the fault light just goes off at 5% over maximum rating.
11. Once the converter is delivering 105% of rated current, rotate R50 counterclockwise until the power supply is shut off by the primary current limit circuit and the fault light lights. Do not adjust beyond this point.
12. Push the front panel switch to the OFF position. Remove prime power from the power supply and wait three minutes (minimum) for the filter capacitors to discharge.
13. Rotate R50 three turns clockwise.
14. Repeat steps (1) through (13) for the balance of converter assemblies A3 through A5.

Current Limit Calibration

1. Remove prime power to the power supply. Remove jumpers J11 and J12 on all converter assemblies not being calibrated. Leave jumper installed on assembly to be calibrated.
2. Connect a load of minimum 5% heavier than full-rated power and a DMM across external current shunt.
3. Rotate front panel voltage control fully clockwise.
4. Rotate front panel current control fully counterclockwise.
5. Apply prime power to power supply, and push the front panel switch to the ON position.
6. Rotate front panel current control fully clockwise or until DMM across external current shunt indicates a maximum of 5% above the converter assembly rated output current. (The converter assembly rated output = the power supply rated output divided by the number of converter assemblies.) For 15 kW models, there are three converter assemblies. Adjust potentiometer R40 until the supply puts out 5% over the rated current when the front panel current pot is fully clockwise.

If the fault light lights before the output reaches 5% over the maximum rating adjust the internal current limit. To adjust the internal current limit set R45 so the fault light just goes off at 5% over maximum rating.

7. Once the converter is delivering 105% of rated current and the current mode indicator on the front panel is illuminated, rotate R45 counterclockwise until the current mode indicator just extinguishes. Do not adjust beyond this point.
8. Remove prime power from the power supply and wait three minutes (minimum) for the filter capacitors to discharge.
9. Repeat steps (1) through (8) for the balance of converter assemblies A3 through A5.

Current Feedback Amplifier Zero Calibration

1. With prime removed, remove jumpers J11 and J12 from all converter assemblies.
2. Apply prime power to power supply, and push the front panel switch to the ON position.
3. Connect DMM between J10-3 (U2, pin 14) and J10-10 (common return) to the converter assembly to be calibrated.
4. Adjust R25 until DMM between J10-3 and J10-10 indicates 15.00mVDC.
5. Repeat steps 3 and 4 for the balance of the converter assemblies A3 through A5.
6. Remove prime power from the power supply and wait three minutes (minimum) for filter capacitors to discharge.
7. Replace jumpers J11 and J12.

Current Feedback Amplifier Full-Scale Calibration.

1. Remove prime power to the power supply. Remove J11 and J12 on all converter assemblies not being calibrated. Leave jumper installed on assembly to be calibrated.
2. Connect DMM between J10-3 (U2, pin 14) and J10-10 (common return). Set DC voltage scale to read 5.0 volts.
3. Connect a second DMM across the external current shunt.
4. Rotate front panel voltage control fully clockwise.
5. Rotate front panel current control fully counterclockwise. This changes the operation of the power supply from the voltage to the current mode.
6. Apply prime power to power supply, and push the front panel switch to the ON position.
7. Rotate front panel current control clockwise until DMM between J10-3 and J10-10 indicates 5.000 VDC.

8. Adjust potentiometer R40 of converter assembly being calibrated until DMM across external current shunt indicates one-third the full-rated output current for 15 kW power supply models.
9. Remove prime power from power supply and wait 3 minutes (minimum) for filter capacitors to discharge.
10. Repeat steps (1) through (9) for the balance of converter assemblies A3 through A5.

4.2.4 Control Assembly Calibration

In this section refer to Figure 4-6 for locations of assemblies and potentiometers.

Voltage Reference

The voltage reference is provided by an adjustable current regulator Q1 and associated components. To calibrate for the 1 mA programming coefficient (constant voltage), the following sequence is recommended. For J1 and J2, refer to the D-shell connectors on the rear panel.

1. Set front panel current control fully counterclockwise.
2. Connect a precision DMM to J1-21(VP RES) with reference to J1-24(COM). Set DMM to DC milliamps and 2 milliamps range.
3. Apply power to power supply, and push the front panel switch to the ON position.
4. Adjust R47 for 1.000 milliamps on DMM.
5. Remove power from power supply.

Current Reference

The current reference is a precision current source consisting of Q2 and associated components. Calibration is accomplished by adjusting R50. The following sequence is recommended. For J1 and J2, refer to the D-shell connectors on the rear panel.

1. Set front panel voltage control fully counterclockwise.
2. Connect a precision DMM to J1-22(IP RES) with reference to J1-24(COM). Set DMM to DC milliamps and 2 mA range.
3. Apply power to power supply, and push the front panel switch to the ON position.
4. Adjust R50 for 1.000 milliamps on DMM.
5. Remove power from power supply.

Voltage Zero Calibration

The voltage control circuit (U11-A) zero is adjusted by R39. The following sequence is recommended. For J1 and J2, refer to the D-shell connectors on the rear panel.

1. Connect a jumper (short circuit) between J1-8(V SET) and J1-6(COM).
2. Connect DMM across CR7. Set DMM to read DC volts and approximately 200 millivolt range.

3. Set front panel current control fully clockwise.
4. Set front panel voltage control fully counterclockwise.
5. Apply power to power supply, and push the front panel switch to the ON position.
6. Adjust R39 until DMM reads zero. Do not continue adjustment once the DMM reads zero millivolts.
7. Remove power from power supply.
8. Remove DMM from CR7 of control assemblies.
9. Remove jumper between J1-8 and J1-6.

Current Zero Calibration

The current error amplifier circuit (U10-D) zero is adjusted with R26. The following sequence is recommended. For J1 and J2, refer to the D-shell connectors on the rear panel.

1. Connect a jumper (short circuit) between J1-11(I SET) and J1-6(COM).
2. Connect any resistive load and DMM across the output terminals of the power supply. Set DMM to read DC volts and approximately 200 millivolt range.
3. Set front panel voltage control fully clockwise.
4. Set front panel current control fully counterclockwise.
5. Apply power to power supply, and push front panel switch to the ON position.
6. Adjust R26 until the power supply output voltage starts to increase in the normal polarity. Reverse adjustment direction of R26 until output voltage decreases to zero reading on the DMM. Do not continue adjustment when output reads zero volts.
7. Remove power from power supply.
8. Remove DMM from power supply output terminals.
9. Remove jumper between J1-11 and J1-6.

Voltage Full-Scale Calibration

Full-scale voltage calibration is accomplished by adjusting R37. The following sequence is recommended. For J1 and J2, refer to the D-shell connectors on the rear panel.

1. Connect any resistive load and DMM across the output terminals of the power supply. Set DMM to read maximum rated power supply output voltage.
2. Connect a second DMM between J1-8(V SET) and the common return J1-6. Set DMM to DC volts and scale to read 5.00 volts.
3. Rotate front panel current control fully clockwise.
4. Apply power to power supply, and push front panel switch to the ON position

5. Rotate front panel voltage control clockwise until DMM indicates 5.000 VDC between J1-6 and J1-8.
6. Adjust R37 until output voltage reading is 100% of rated output voltage DC between the output terminals of the power supply.
7. Remove power from power supply.
8. Remove DMM from power supply terminals.

Meter Calibration

1. Meter Zero Calibration. If zero calibrations in the converter and control assemblies are set properly, the zero set for both voltage and current front panel meters is automatic.
 - (a) If meters do not read zero, check the output voltage. If there is some voltage present across output bus bars, turn R26 on the control assembly until output voltage is zero.
 - (b) If meters do not read zero even though no voltage is present on the output bus bars, turn R36 on the converter assemblies for current meter and R39 on control assemblies for the voltage meter until both meters read zero.
2. Meter Full-Scale Calibration. The full-scale adjustment for the digital panel meters U1 and U4 is adjusted by R6 and R11, respectively. R6 is for full-scale voltage meter calibration, and R11 is for full-scale current meter calibration. Both resistors are accessible from inside the power supply with the cover removed.

To calibrate for full-scale voltage or current, adjust the power supply to maximum rated output voltage (or current) using external calibrated meters and adjust the appropriate meter to correspond to the rated output voltage or current.

Overvoltage Trip Level Calibration

The overvoltage trip level is calibrated by adjusting potentiometer R43 on the control assembly A1. This setting can be viewed on the voltage display monitor by pressing the front panel switch S1. The factory setting for the overvoltage trip level is approximately 10% above the rated output voltage.

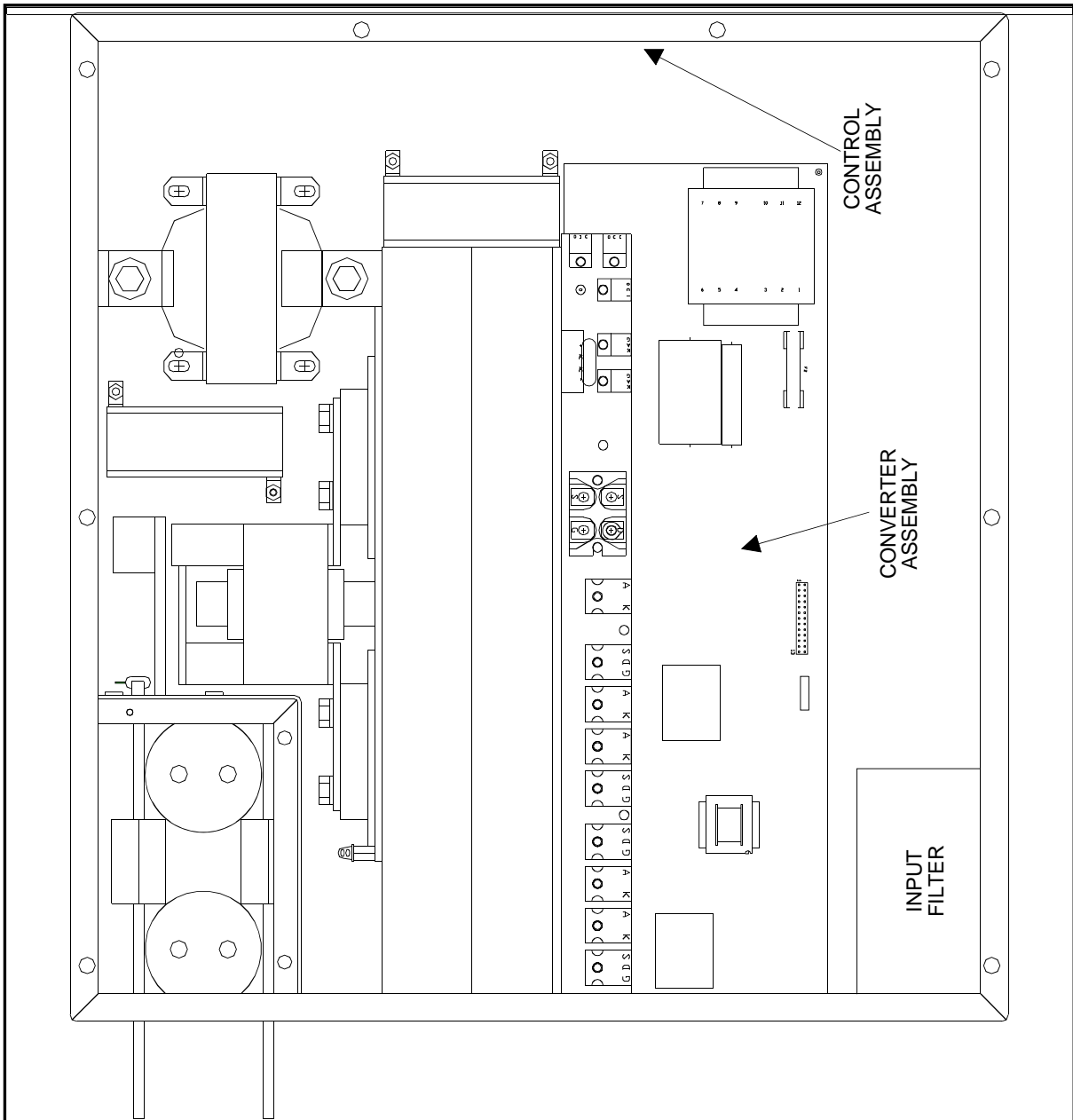


Figure 4-1
P62 Internal Layout

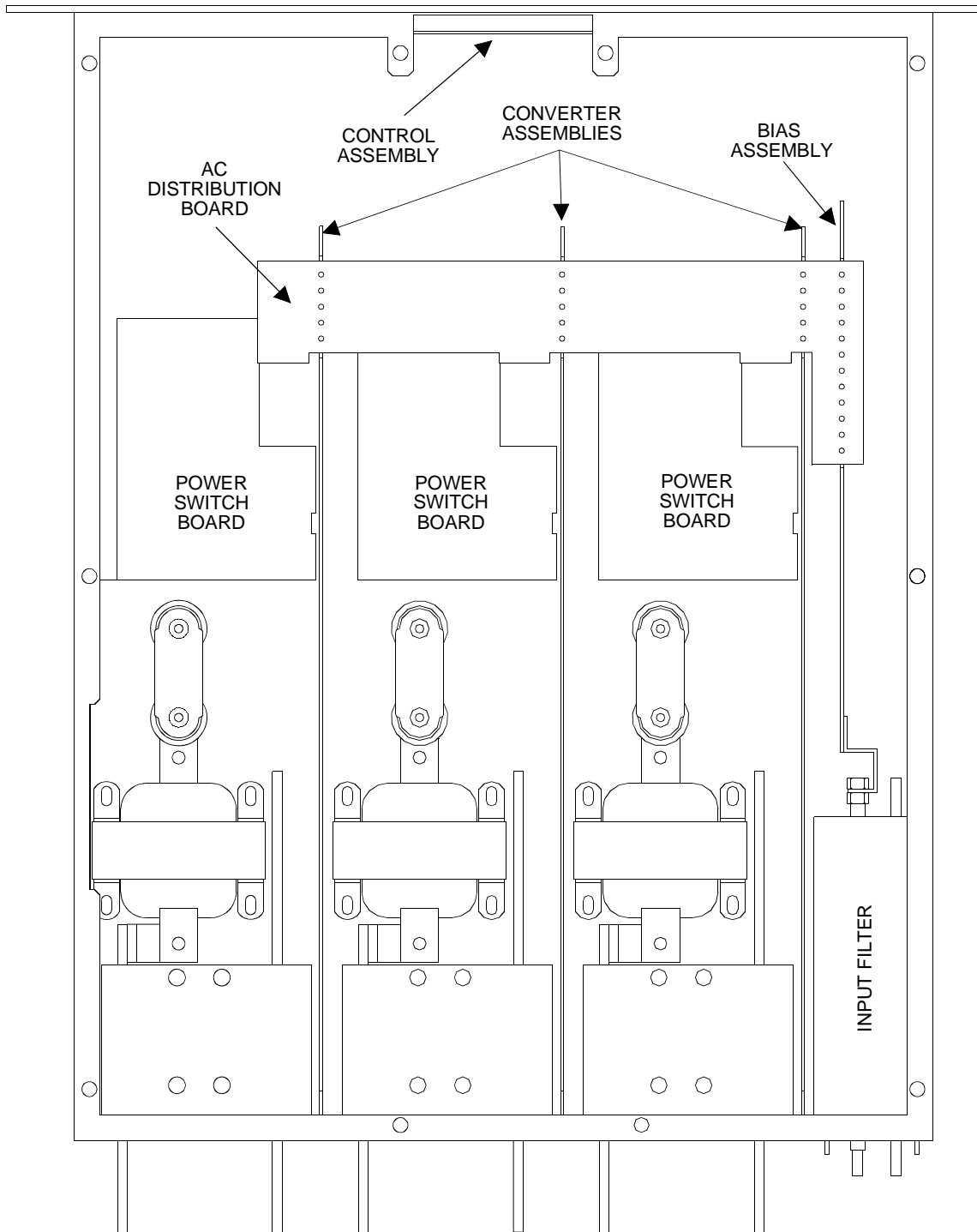


Figure 4-2
P63, P66, D3 Internal Layout

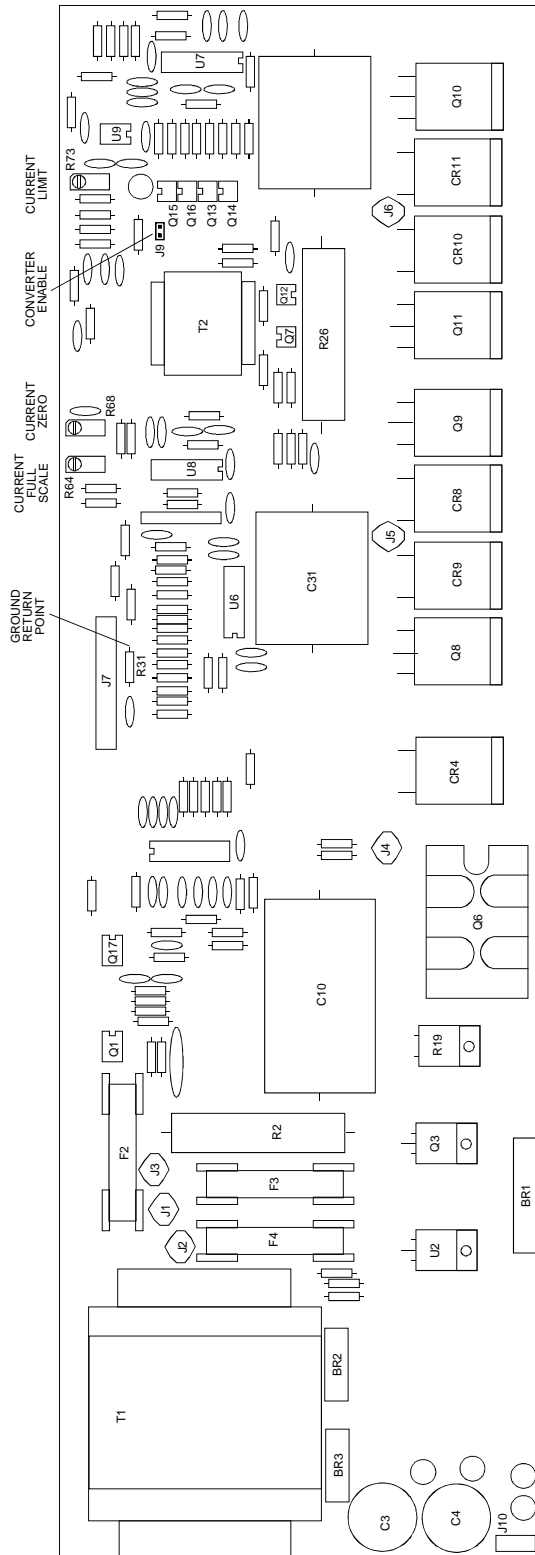


Figure 4-3
P63, P66, D3 Converter Card

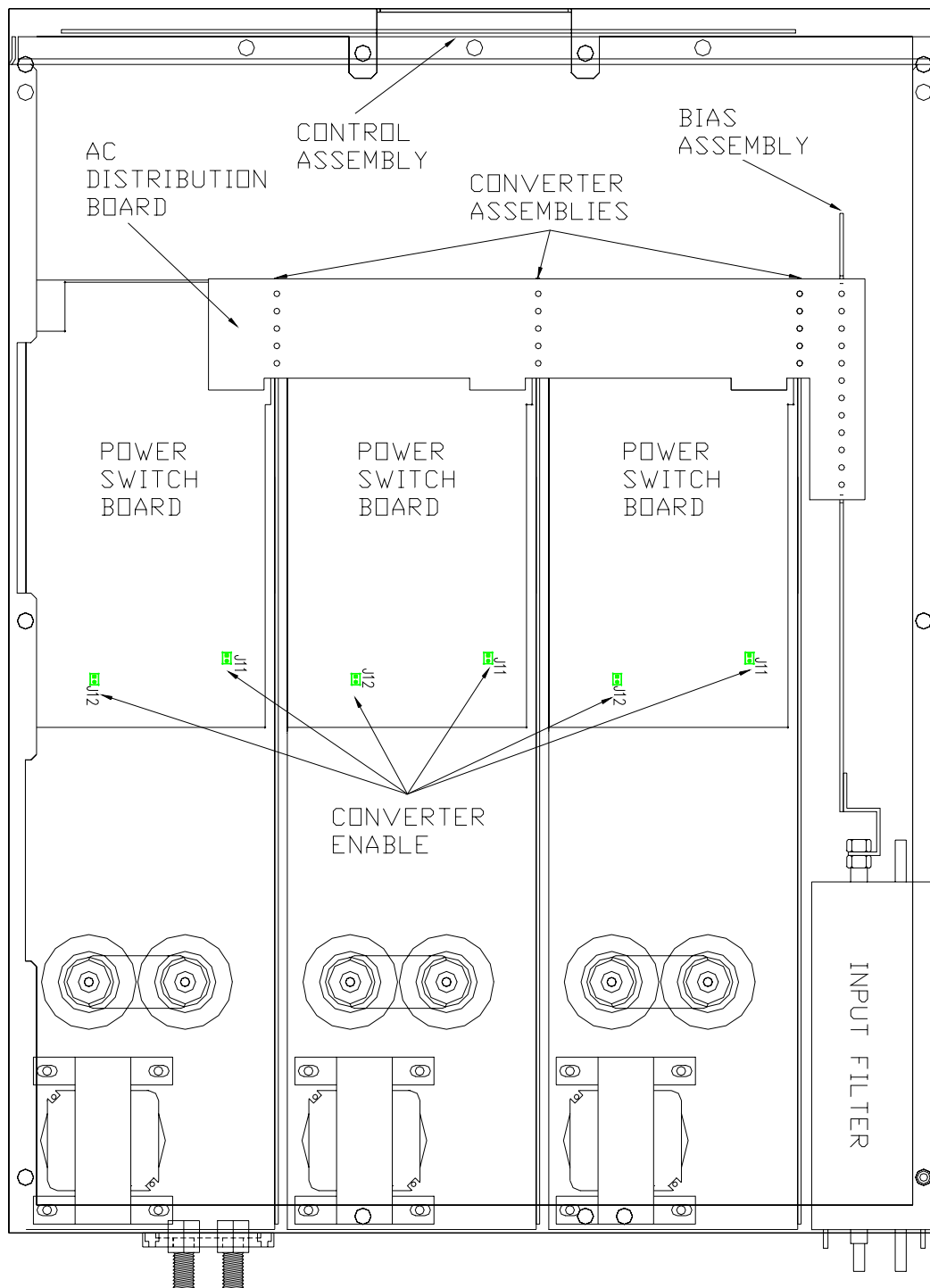


Figure 4-4
P83, P86 Internal Layout

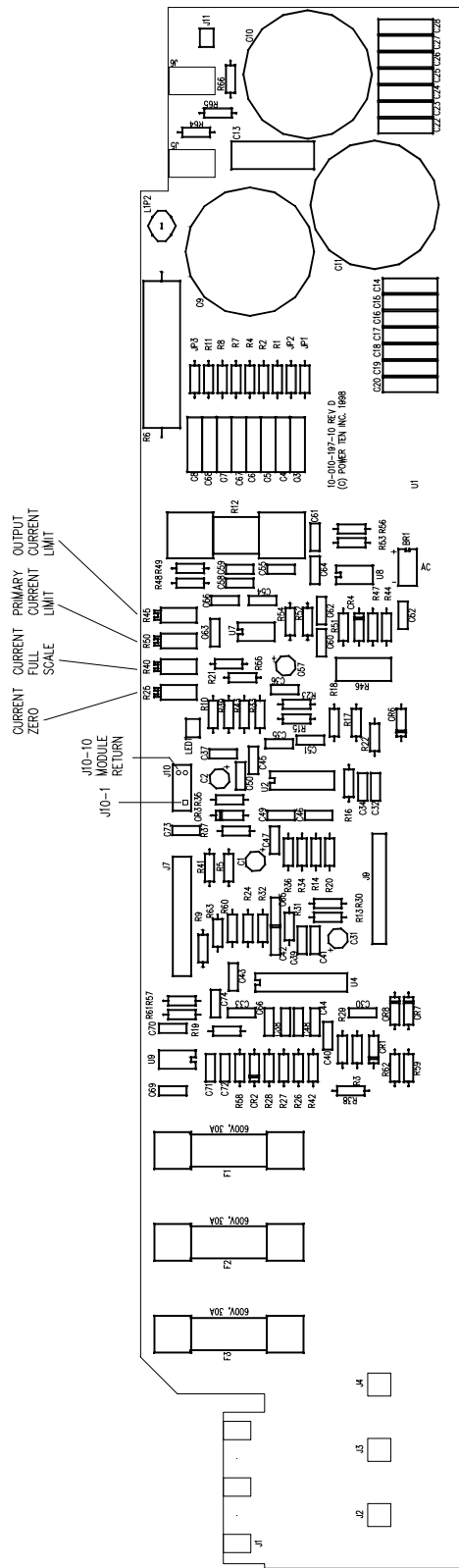


Figure 4-5
P83, P86 Converter Card

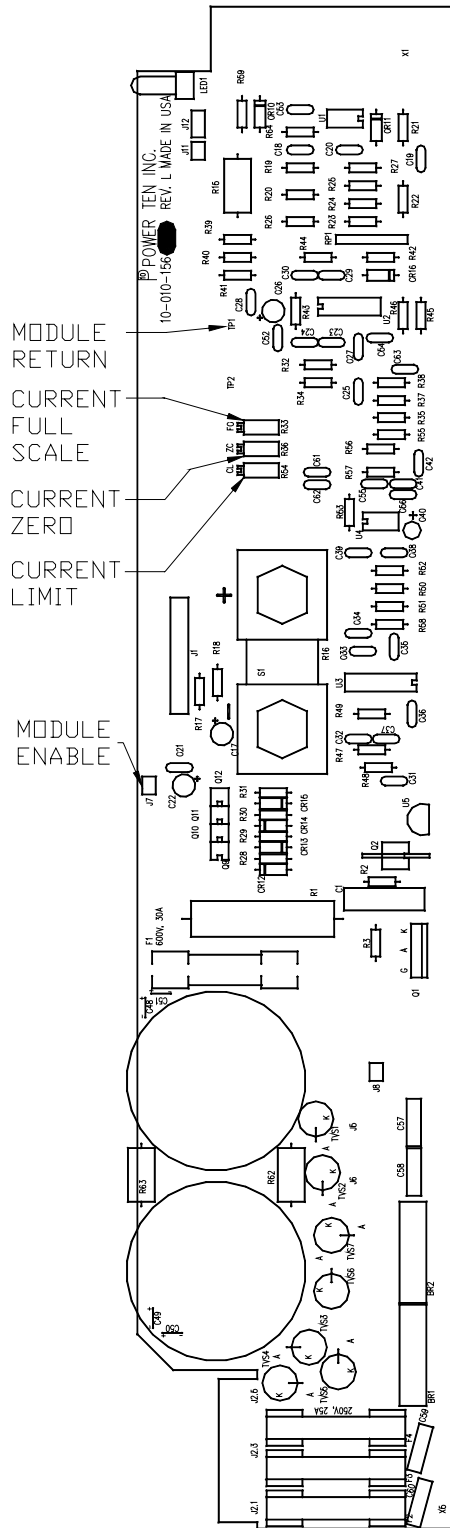


Figure 4-6
P63 & P66 Converter Card

This page intentionally left blank.

Chapter 5

MAINTENANCE

5.1 INTRODUCTION

This chapter contains preventive maintenance for the power supplies.

WARNING

All maintenance that requires removal of the cover of the unit should only be done by properly trained and qualified personnel. Hazardous voltages exist inside the unit. Disconnect the supply from the input power before performing any maintenance. Service, fuse verification, and connection of wiring to the chassis must be accomplished at least five minutes after power has been removed via external means; all circuits and/or terminals to be touched must be safety grounded to the chassis.

5.2 PREVENTIVE MAINTENANCE

Preventive maintenance for the “P” and “D” series consists of scheduled inspection and cleaning.

1. Schedule. Table 5-1 lists the preventive maintenance routines and the recommended performance intervals.
2. Inspection. Table 5-2 lists the visual inspection checks to be performed. It also indicates the corrective action to be taken.

Table 5-1
Preventive Maintenance Schedule

PREVENTIVE MAINTENANCE ROUTINE	RECOMMENDED PERFORMANCE INTERVAL
Inspection	Annual
Cleaning	As Required

Table 5-2
Inspection and Corrective Action

ITEM	INSPECT FOR	CORRECTIVE ACTION
External Connector plugs and jacks	Looseness, bent or corroded contacts, damage or improper seating in mating connector	Clean contacts with solvent moistened cloth, soft bristle brush, small vacuum or low compressed air. Replace connectors damaged, deeply corroded, or improperly seated in mating connector.
Chassis, fan & extruded heatsinks	Dirt and Corrosion	Clean with cloth moistened with soapy water.
External Electrical Wiring	Broken, burned or pinched wire; frayed, worn or missing insulation	Repair or replace defective wires.
External Solder Connections	Corrosion, loose, cracked, or dirty connections	Clean and resolder connections.
Dirt and moisture buildup	Short circuits, arcing, corrosion, overheating	Clean as required.
Front panel controls and meters	Dirt and corrosion	Clean with cloth moistened with soapy water. Use a Kimwipe tissue and GTC glass cleaning compound to clean the meter faces.

5.3 FUSES

There are no user replaceable components in the power supply.

WARNING

Only proper trained and qualified personnel should remove the cover from the power supply. Service, fuse verification, and connection of wiring to the chassis must be accomplished at least five minutes after power has been removed via external means; all circuits and/or terminals to be touched must be safety grounded to the chassis.

Replacement fuses are in Table 5-3.

Table 5-3
Fuse Values

Power Supply	PCB Part Number	Reference	Value	Mfr. Part No.
P62 series	10-010-154-00	F1	250 Volt, 3/8 Amp	Littlefuse 263.375
	10-010-154-00	F2, F3, F4	600 Volt, 30 Amp	Littlefuse KLKD30
	10-010-214-00	F1	600 Volt, 30 Amp	Littlefuse KLKD30
P63 & P66 series	10-010-156-00	F1	600 Volt, 30 Amp	Littlefuse KLKD30
	10-010-156-00	F2, F3, F4	250 Volt, 20 Amp	Bussman MDA20
	10-010-163-00	F1, F2, F3	250 Volt, 1/2 Amp	Littlefuse 2AG230.500
P83 & P86 SERIES	10-010-197-00	F1, F2, F3	600 Volt, 30 Amp	Littlefuse KLKD30
	10-010-219-00	F1	600 Volt, 30 Amp	Littlefuse KLKD30