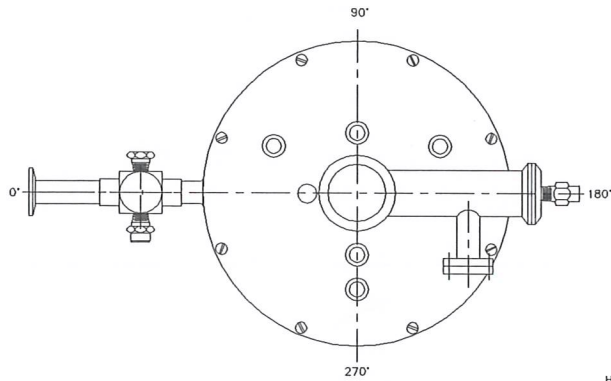
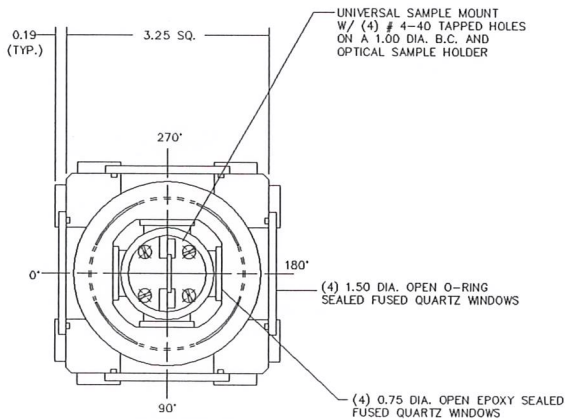
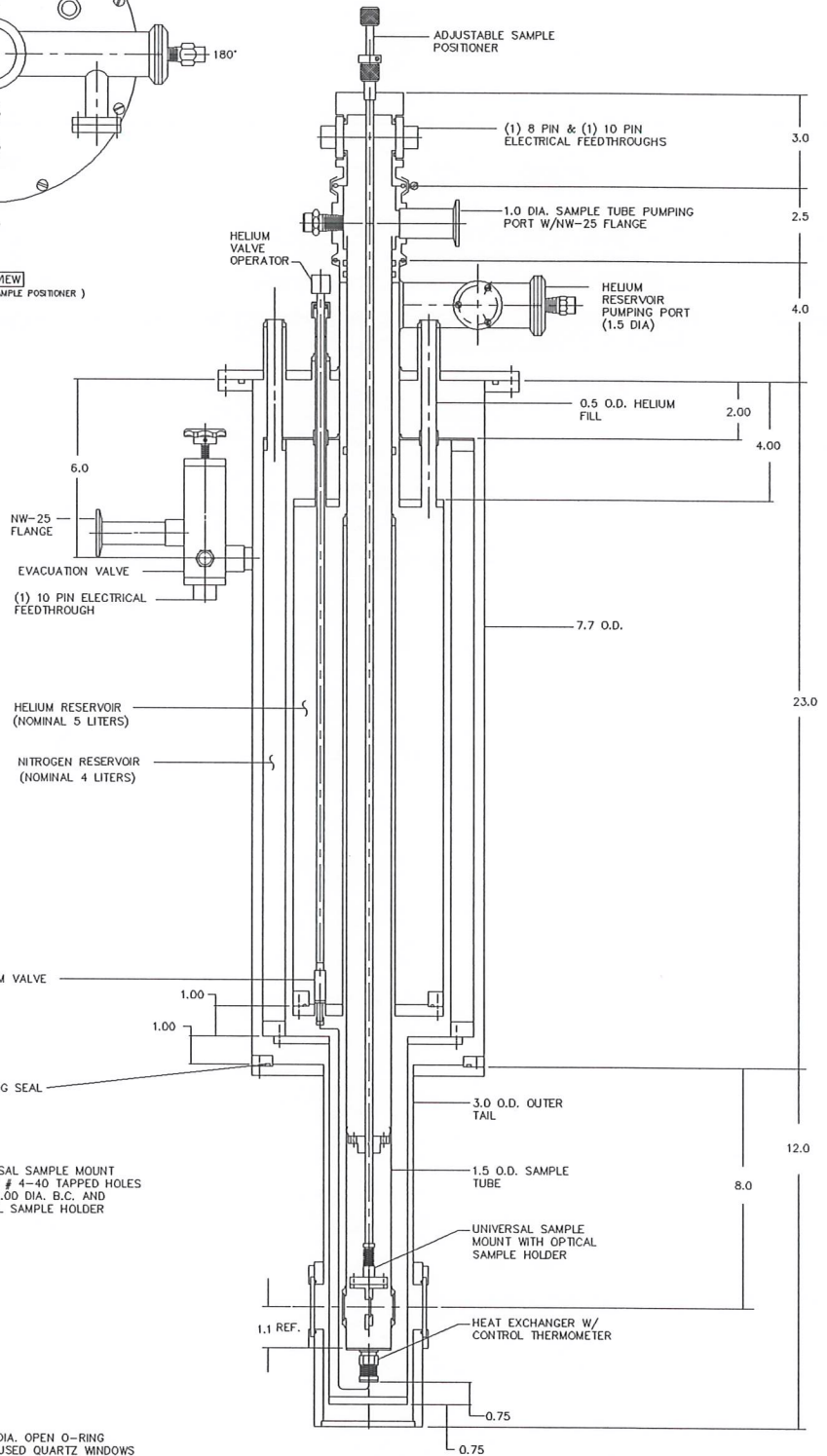


REVISIONS		
LTR	DESCRIPTION	APP'D. DATE



TOP VIEW  
( LESS CROWN & SAMPLE POSITIONER )



CROSS SECTION OF WINDOW BLOCK  
( FULL SCALE )

Job 5761  
UNION COLLEGE

NOTE: ALL DIMENSIONS ARE IN INCHES

CONFIDENTIAL AND PROPRIETARY

THIS DRAWING AND/OR INFORMATION CONTAINED HEREIN IS THE SOLE PROPERTY OF THE JANIS RESEARCH COMPANY AND IS NOT TO BE RELEASED OR DIVULGED TO THIRD PARTIES WITHOUT THE EXPRESSED, WRITTEN CONSENT OF THE JANIS RESEARCH COMPANY, INC.

APPROVALS		
DEPT.	SIG.	DATE
		3/27/89
CHK BY		
ENG.		
O.C.		
RELEASED TO MFG BY		
DIST. APPROVAL BY		

JANIS RESEARCH CO.		REV.
WILMINGTON, MA.		
TITLE		
MODEL SVT-300-3 OPTICAL CRYOSTAT		
SIZE	DRAWING NO.	
	D03-27-89A	
P. N.	SCALE:	SHT OF